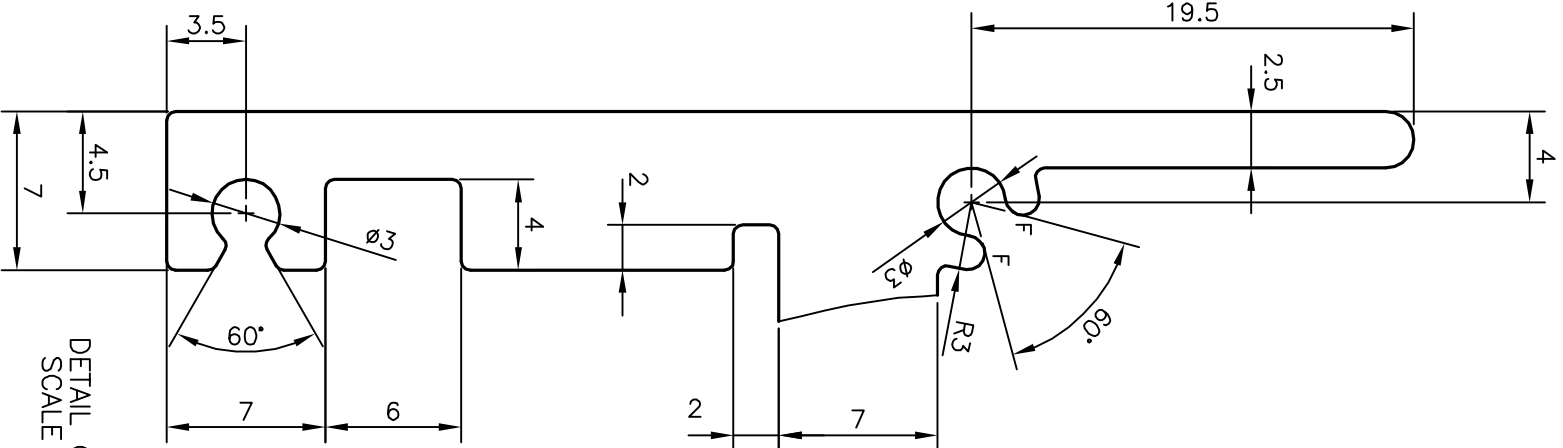
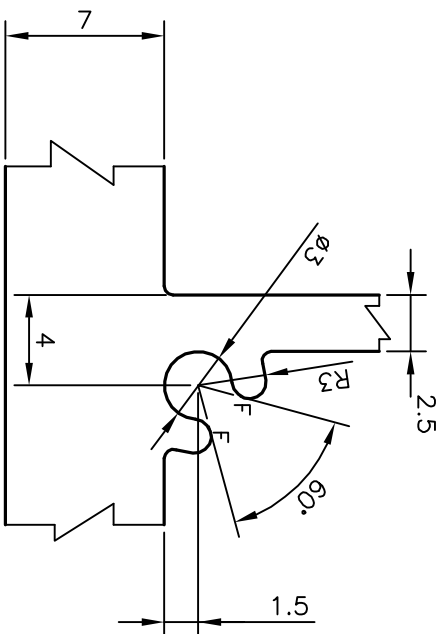



F = FULL RADIUS (30 PLACES)



DETAIL OF "B"
SCALE 3:1



DETAIL OF "A"
SCALE 3:1

 <p>SYMBOL OF QUALITY AN ISO 9001 COMPANY</p>		<p>JINDAL ALUMINIUM LTD. BANGALORE-560073 (INDIA)</p>		NAME	DATE
				J.P. KAUSHIK	02-12-2015
<p>1. ALL DIMENSIONS ARE IN mm. 2. ROUND OFF ALL SHARP CORNERS WITH 0.40 mm. 3. TOLERANCES WILL BE AS PER IS:6477-1983 UNLESS OTHERWISE SPECIFIED</p>		CHECKED		SCALE	1:1
		APPROVED	S.S.GARG	AREA	4403.557
PARTY'S NAME	LOKOZO TECHNOLOGIES PVT. LTD., BANGALORE	PERIMETER	2219.156	WEIGHT	11.89
PARTY'S DRAWING No.	AS PER AutocAD DRAWING 26455-V1	DRAWING No.		SECTION No.	
ALLOY & TEMPER	HE9 WP				
DESCRIPTION	HEAT SINK SECTION				