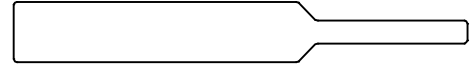
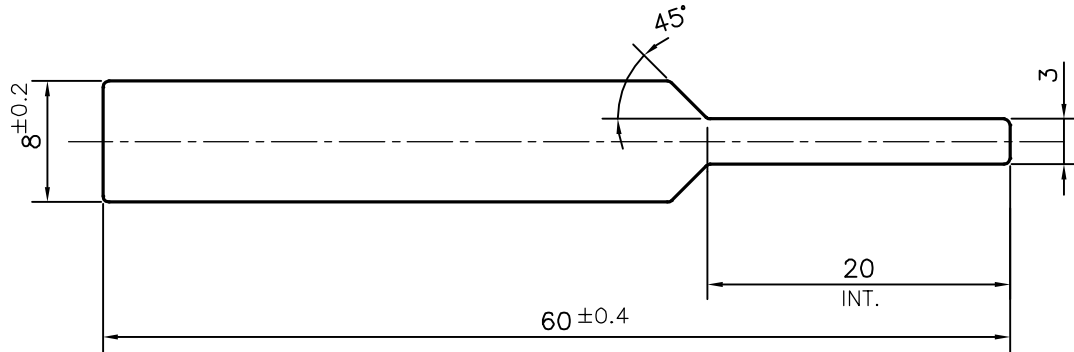


P-15367

S4783



SCALE: - 1:1



SYMBOL OF QUALITY  
AN ISO 9001 COMPANY

**JINDAL ALUMINIUM LTD.**  
BANGALORE-560073 (INDIA)

	NAME	DATE
DRAWN	PARVESH	25-11-2015
CHECKED		
APPROVED	S.S.GARG	12-12-2015
SCALE		2:1
AREA mm <sup>2</sup>		373.613
PERIMETER mm.		132.315
WEIGHT kg/m		1.009

1. ALL DIMENSIONS ARE IN mm.
2. ROUND OFF ALL SHARP CORNERS WITH 0.40 mm.
3. TOLERANCES WILL BE AS PER IS:3965-1981 , UNLESS OTHERWISE SPECIFIED

PARTY'S NAME	BAJAJ TAMBULA PINNED PRODUCTS PVT. LTD., KOLKATA	DRAWING No.	P-15367	SECTION No.	-
PARTY'S DRAWING No.	BT/FS/025/15-16		S4783		S4783
ALLOY & TEMPER	6082 T6				
DESCRIPTION	TEXTILE SECTION				