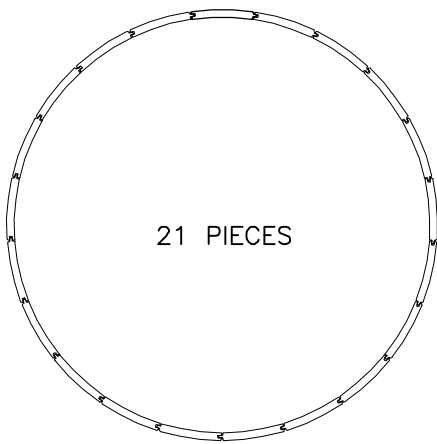
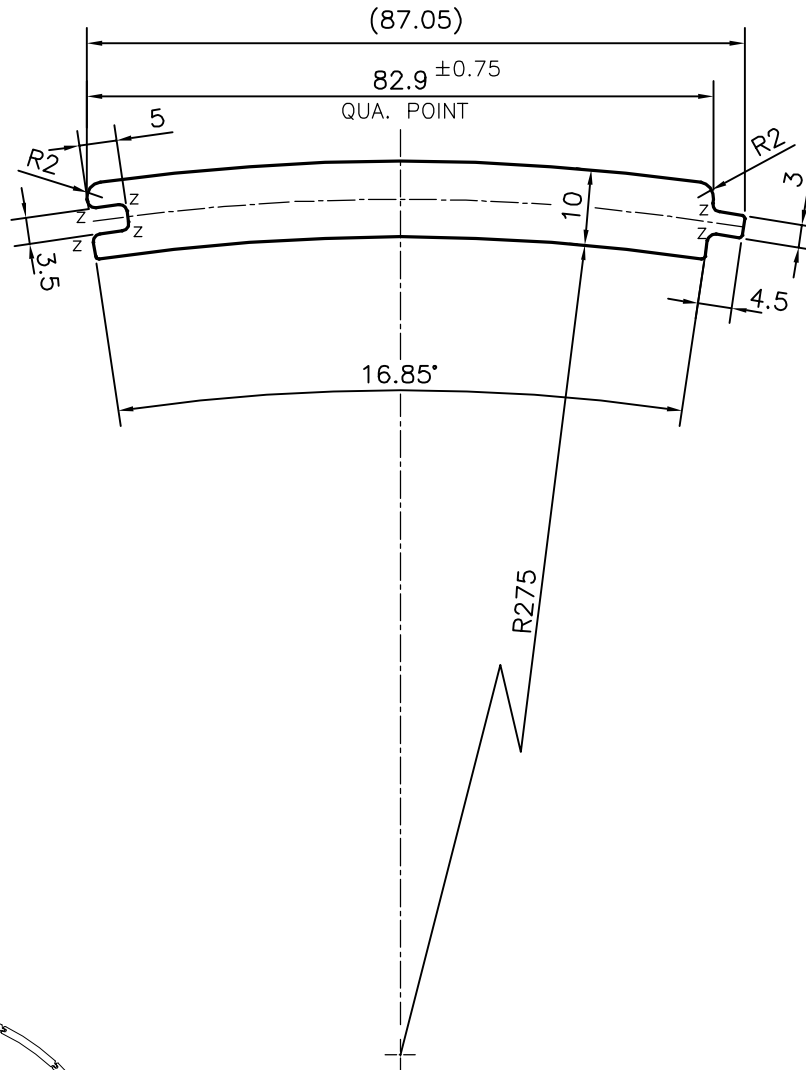



P-15424

S4784



21 PIECES

Z = RADIUS 1 mm. (6 PLACES)

 SYMBOL OF QUALITY AN ISO 9001 COMPANY	JINDAL ALUMINIUM LTD. BANGALORE-560073 (INDIA)	NAME		DATE
		DRAWN	PARVESH	09-12-2015
1. ALL DIMENSIONS ARE IN mm. 2. ROUND OFF ALL SHARP CORNERS WITH 0.40 mm. 3. TOLERANCES WILL BE AS PER IS:3965-1981 , UNLESS OTHERWISE SPECIFIED		CHECKED		
		APPROVED	S.S.GARG	15-12-2015
PARTY'S NAME BAJAJ TAMBULA PINNED PRODUCTS PVT. LTD., KOLKATA		SCALE		1:1
		AREA mm ²		817.311
PARTY'S DRAWING No. BT/LR/017/15-16		PERIMETER mm.		198.559
		WEIGHT kg/m		2.207
ALLOY & TEMPER 6082 T6		DRAWING No.		P-15424
		SECTION No.		-
DESCRIPTION TEXTILE SECTION		S4784		S4784