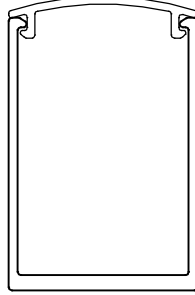


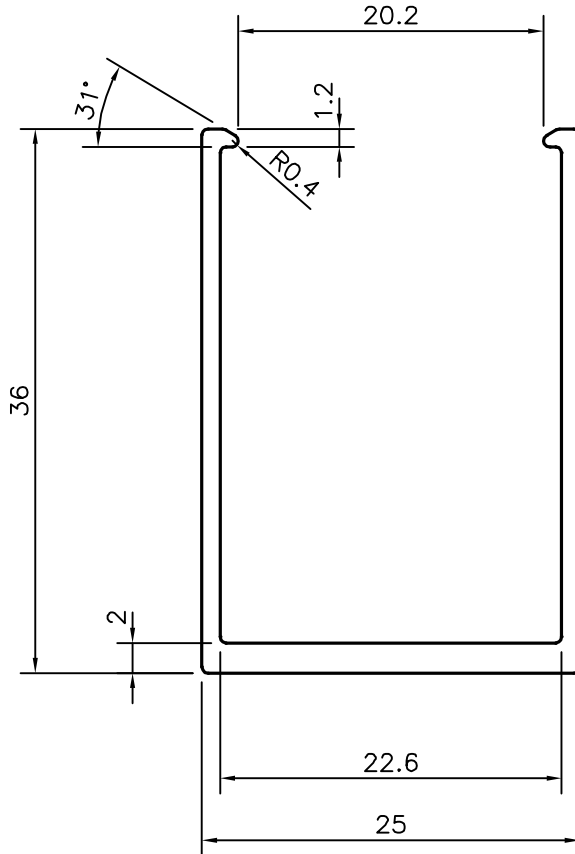
P-15445

S4808

S4809



1:1



SYMBOL OF QUALITY
AN ISO 9002 COMPANY

JINDAL ALUMINIUM LTD.
BANGALORE-560073 (INDIA)

	NAME	DATE
DRAWN	J.P.KAUSHIK	19-12-2015
CHECKED		
APPROVED	S.S.GARG	28-12-2015
SCALE		2:1
AREA mm ²		133.845
PERIMETER mm.		192.162
WEIGHT kg/m		0.361
DRAWING No.	SECTION No.	
P-15445	-	
S4808	S4808	

1. ALL DIMENSIONS ARE IN mm.
2. ROUND OFF ALL SHARP CORNERS WITH 0.40 mm.
3. TOLERANCES WILL BE AS PER IS:3965-1981 UNLESS OTHERWISE SPECIFIED

PARTY'S NAME	FULL SPACE INTERIORS, MUMBAI
PARTY'S DRAWING No.	FSI-AL-DIE-03
ALLOY & TEMPER	6063 T6
DESCRIPTION	CHANNEL-MISC.