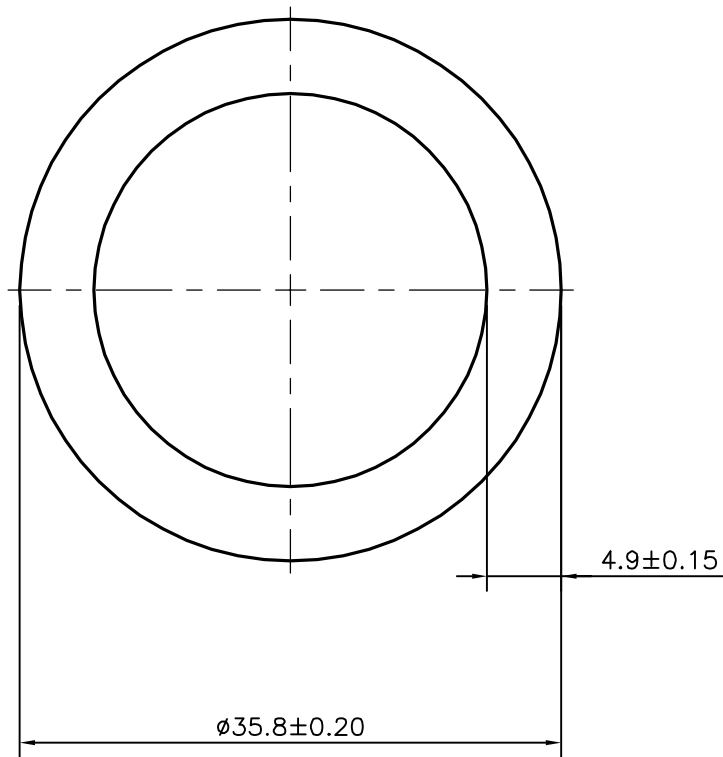
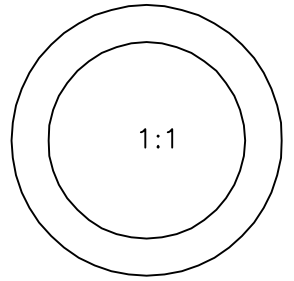


P-15449-1

S4811



SYMBOL OF QUALITY
AN ISO 9002 COMPANY

JINDAL ALUMINIUM LTD.
BANGALORE-560073 (INDIA)

	NAME	DATE
DRAWN	J.P.KAUSHIK	21-12-2015
CHECKED		
APPROVED	S.S.GARG	28-12-2015
SCALE		2:1
AREA mm ²		475.669
PERIMETER mm.		112.469
WEIGHT kg/m		1.284
DRAWING No.	SECTION No.	
P-15449-1	-	
S4811	S4811	

1. ALL DIMENSIONS ARE IN mm.
2. ROUND OFF ALL SHARP CORNERS WITH 0.40 mm.
3. TOLERANCES WILL BE AS PER IS:2673-2002 UNLESS OTHERWISE SPECIFIED

PARTY'S NAME	PATELS AIRTEMP(INDIA) LTD., GANDHI NAGAR
PARTY'S DRAWING No.	AS PER SPECIFICATION
ALLOY & TEMPER	1060 F
DESCRIPTION	ROUND TUBE (MUFF TUBE)