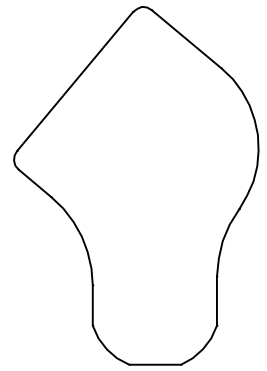
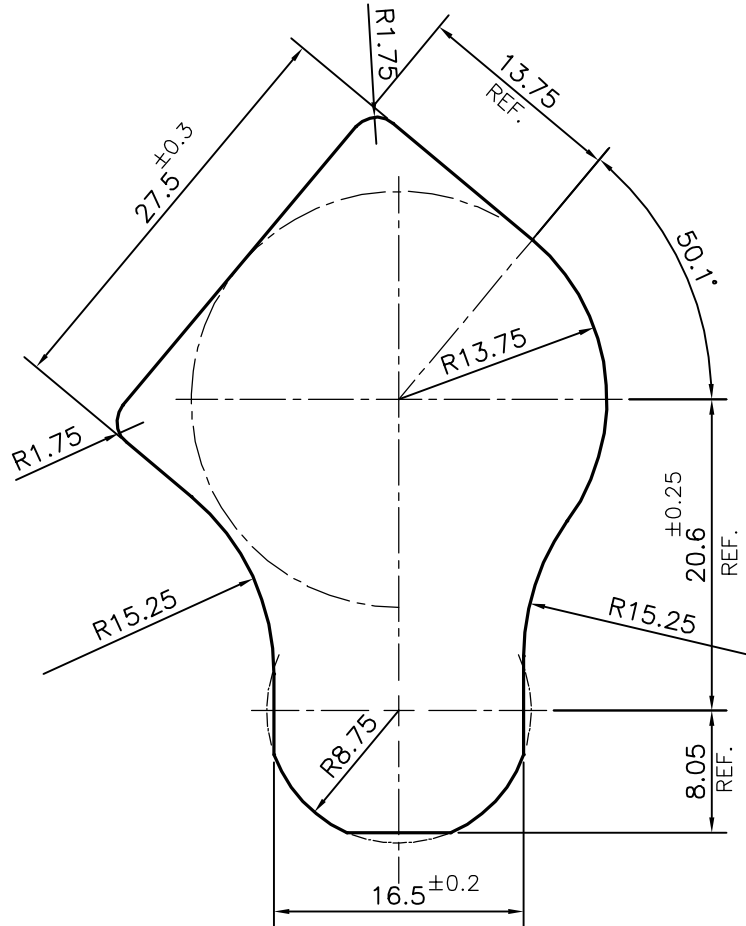


P-15499

S4837



SCALE: - 1:1



SYMBOL OF QUALITY  
AN ISO 9001 COMPANY

**JINDAL ALUMINIUM LTD.**  
BANGALORE-560073 (INDIA)

	NAME	DATE
DRAWN	PARVESH	08-01-2016
CHECKED		
APPROVED	S.S.GARG	04-02-2016

1. ALL DIMENSIONS ARE IN mm.
2. ROUND OFF ALL SHARP CORNERS WITH 0.40 mm.
3. TOLERANCES WILL BE AS PER IS:3965-1981 , UNLESS OTHERWISE SPECIFIED

SCALE	1:1
AREA mm <sup>2</sup>	796.461
PERIMETER mm.	641.592
WEIGHT kg/m	2.150

PARTY'S NAME	WONJIN AUTOPARTS INDIA PVT. LTD., CHENNAI	DRAWING No.	P-15499	SECTION No.	-
PARTY'S DRAWING No.	AS PER AUTOCAD DRAWING-PL SJ01S0103 001		S4837		S4837
ALLOY & TEMPER	6061 'O'				
DESCRIPTION	AUTOMOBILE SECTION				