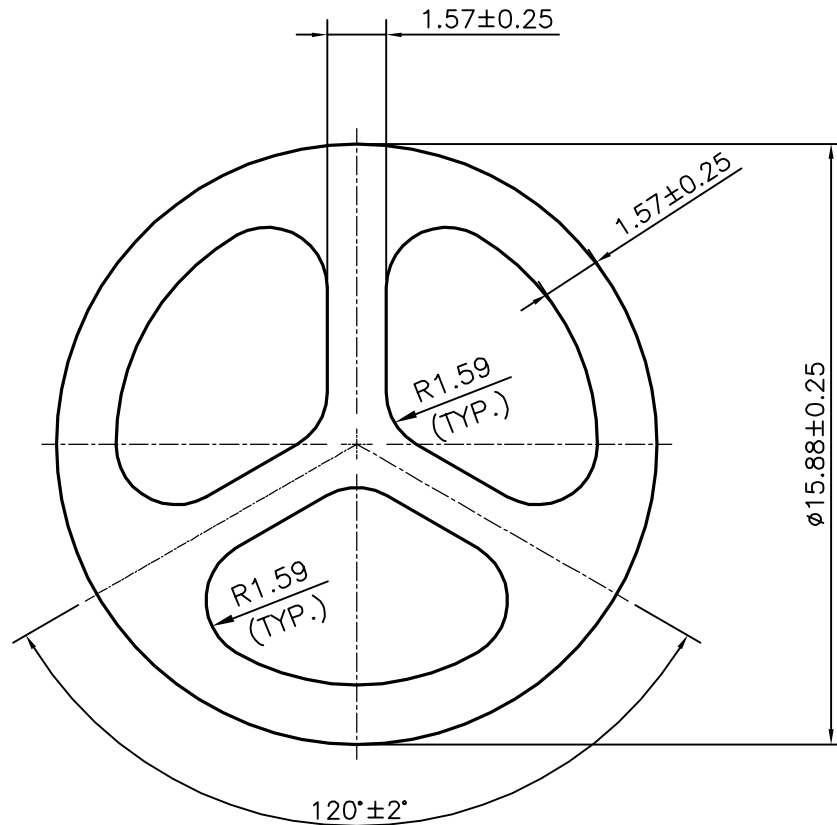


P-15548

S4838



1:1



SYMBOL OF QUALITY
AN ISO 9001 COMPANY

JINDAL ALUMINIUM LTD.
BANGALORE-560073 (INDIA)

	NAME	DATE
DRAWN	J.P.KAUSHIK	27-01-2016
CHECKED		
APPROVED	B. NATARAJ	05-02-2016

1. ALL DIMENSIONS ARE IN mm.
2. ROUND OFF ALL SHARP CORNERS WITH 0.40 mm.
3. TOLERANCES WILL BE AS PER IS:6477-1983, UNLESS OTHERWISE SPECIFIED

SCALE	5:1
AREA mm ²	107.344
PERIMETER mm.	49.888
WEIGHT kg/m	0.290

PARTY'S NAME SHRIRAM RAYONS, KOTA

DRAWING No. SECTION No.

PARTY'S DRAWING No. AS PER SAMPLE

P-15548 -
S4838 S4838

ALLOY & TEMPER 63400 WP

DESCRIPTION TEXTILE SECTION