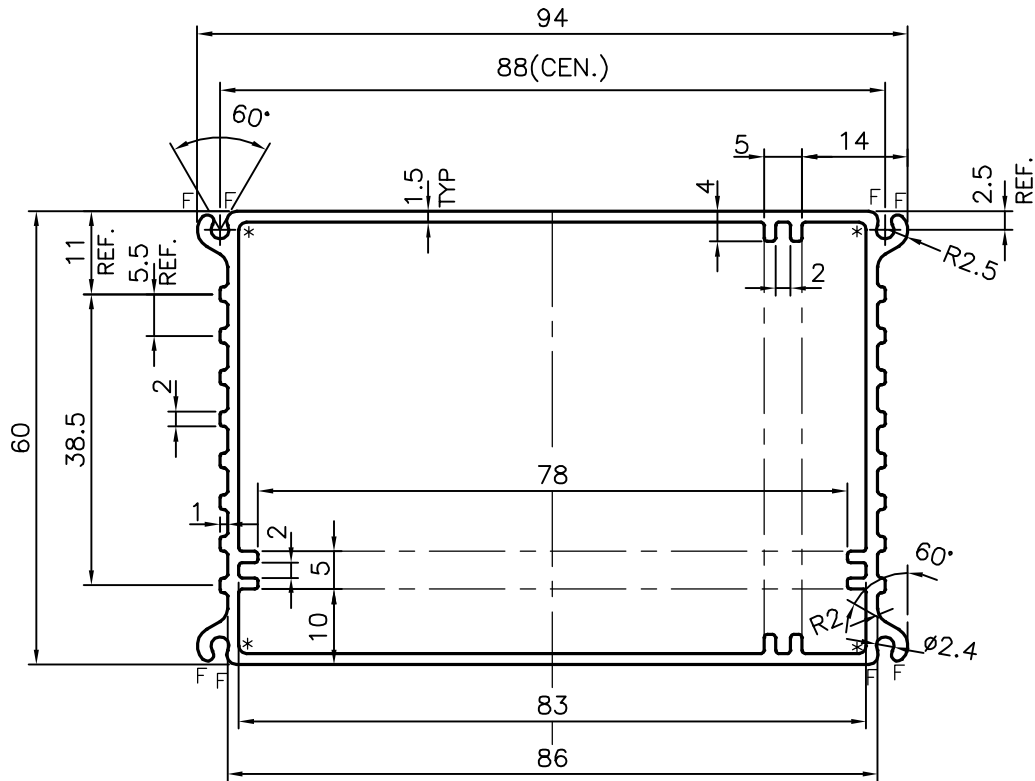



P-15605

S4863



F = FULL RADIUS (8 PLACES)  
 \* = 1.0 RADIUS (4 PLACES)

 SYMBOL OF QUALITY AN ISO 9001 COMPANY	<b>JINDAL ALUMINIUM LTD.</b> BANGALORE-560073 (INDIA)	NAME	DATE
		DRAWN	J.P.KAUSHIK 15-02-2016
		CHECKED	
		APPROVED	S.S.GARG 26-03-2016
1. ALL DIMENSIONS ARE IN mm. 2. ROUND OFF ALL SHARP CORNERS WITH 0.40 mm. 3. TOLERANCES WILL BE AS PER IS:6477-1983 UNLESS OTHERWISE SPECIFIED		SCALE	1:1
		AREA mm <sup>2</sup>	536.357
		PERIMETER mm.	354.74
PARTY'S NAME	PROMPTEC RENEWABLE ENERGY SOLUTIONS PVT. LTD., BANGALORE	WEIGHT kg/m	1.448
PARTY'S DRAWING No.	P00260	DRAWING No.	SECTION No.
ALLOY & TEMPER	6063 T6	P-15605	-
DESCRIPTION	ELECTRONIC SECTION	S4863	S4863