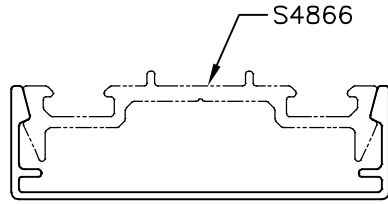
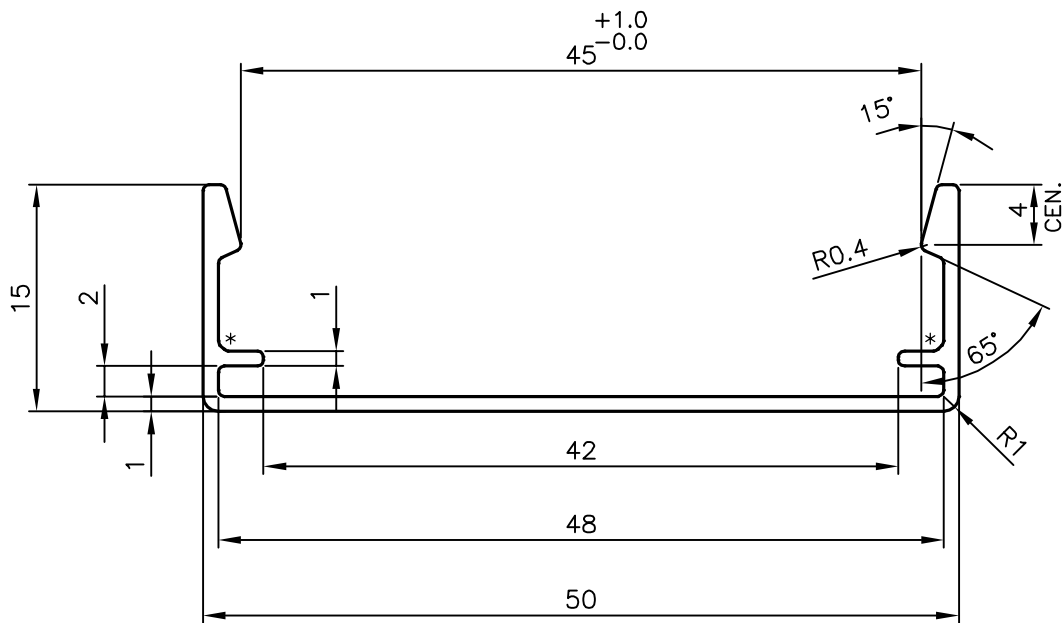


P-15613-1


S4864



1:1



* = CHAMFER 0.5x45° (2 PLACES)

 SYMBOL OF QUALITY AN ISO 9001 COMPANY	JINDAL ALUMINIUM LTD. BANGALORE-560073 (INDIA)	NAME		DATE
		DRAWN	J.P.KAUSHIK	23-02-2016
1. ALL DIMENSIONS ARE IN mm. 2. ROUND OFF ALL SHARP CORNERS WITH 0.40 mm. 3. TOLERANCES WILL BE AS PER IS:3965-1981 UNLESS OTHERWISE SPECIFIED		CHECKED		
		APPROVED		S.S.GARG
PARTY'S NAME		SCALE		2:1
		AREA mm ²		93.368
PARTY'S DRAWING No.		PERIMETER mm.		169.439
		WEIGHT kg/m		0.252
ALLOY & TEMPER		DRAWING No.		P-15613-1
		SECTION No.		-
DESCRIPTION		S4864		S4864