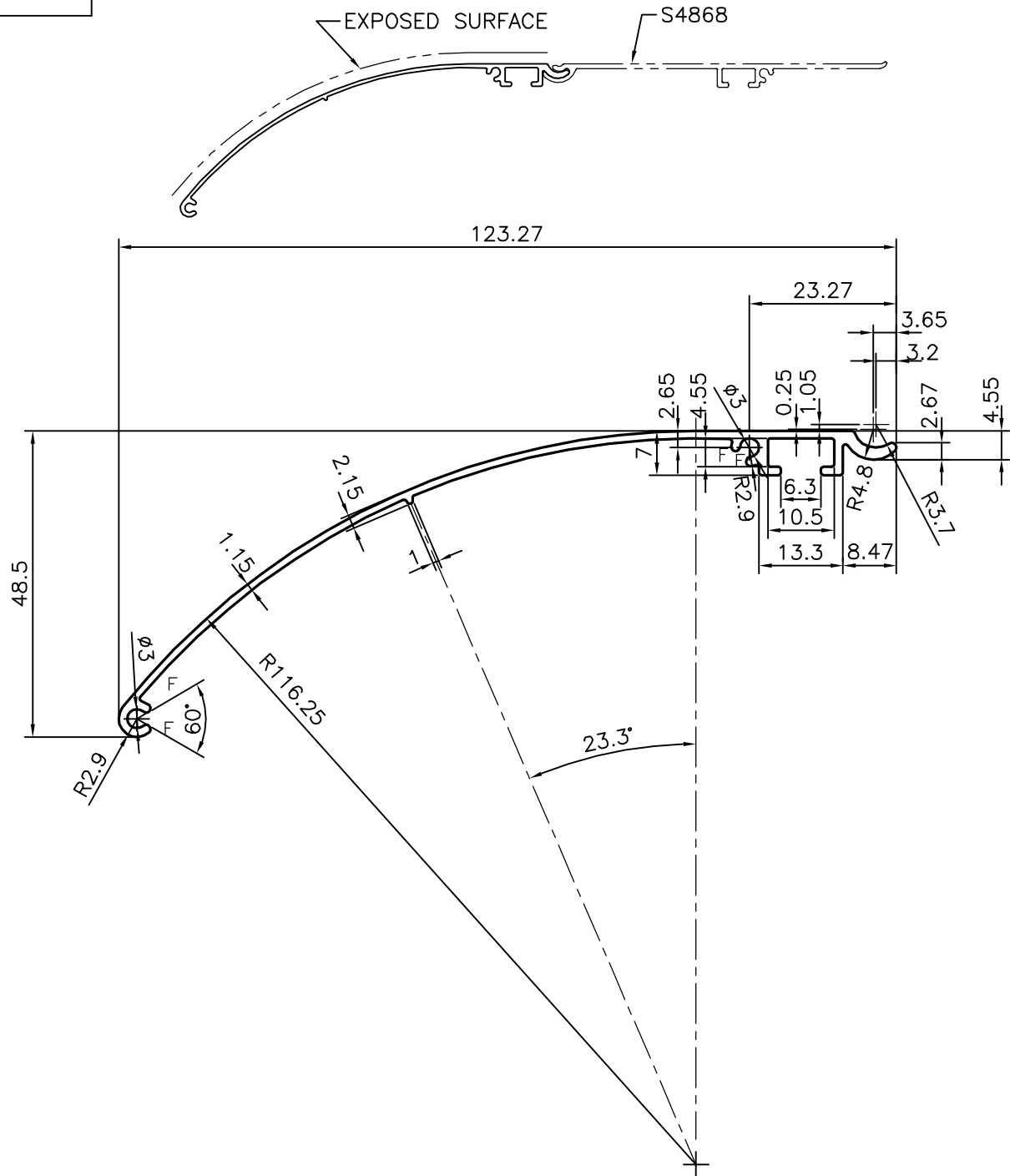


P-15625

S4867



F= FULL RADIUS(4 PLACES)



SYMBOL OF QUALITY  
AN ISO 9001 COMPANY

**JINDAL ALUMINIUM LTD.**  
BANGALORE-560073 (INDIA)

	NAME	DATE
DRAWN	J.P.KAUSHIK	24-02-2016
CHECKED		
APPROVED	S.S.GARG	27-03-2016
SCALE		1:1
AREA	mm <sup>2</sup>	207.633
PERIMETER	mm.	328.758
WEIGHT	kg/m	0.561
DRAWING No.	SECTION No.	
P-15625	-	
S4867	S4867	

1. ALL DIMENSIONS ARE IN mm. 2. ROUND OFF ALL SHARP CORNERS WITH 0.4 mm. 3. TOLERANCES WILL BE AS PER IS:3965-1981, UNLESS OTHERWISE SPECIFIED	
PARTY'S NAME	MAC LIFESTYLE PRODUCT PVT. LTD., NEW DELHI
PARTY'S DRAWING No.	AS PER SAMPLE
ALLOY & TEMPER	6063 T6
DESCRIPTION	MISC. SECTION