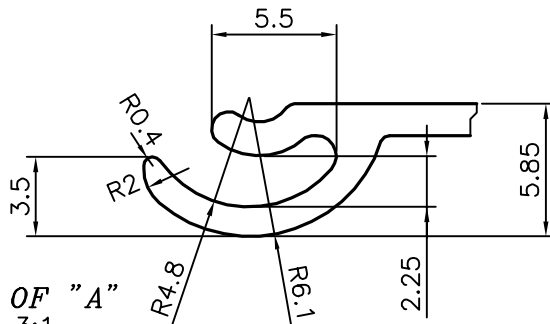
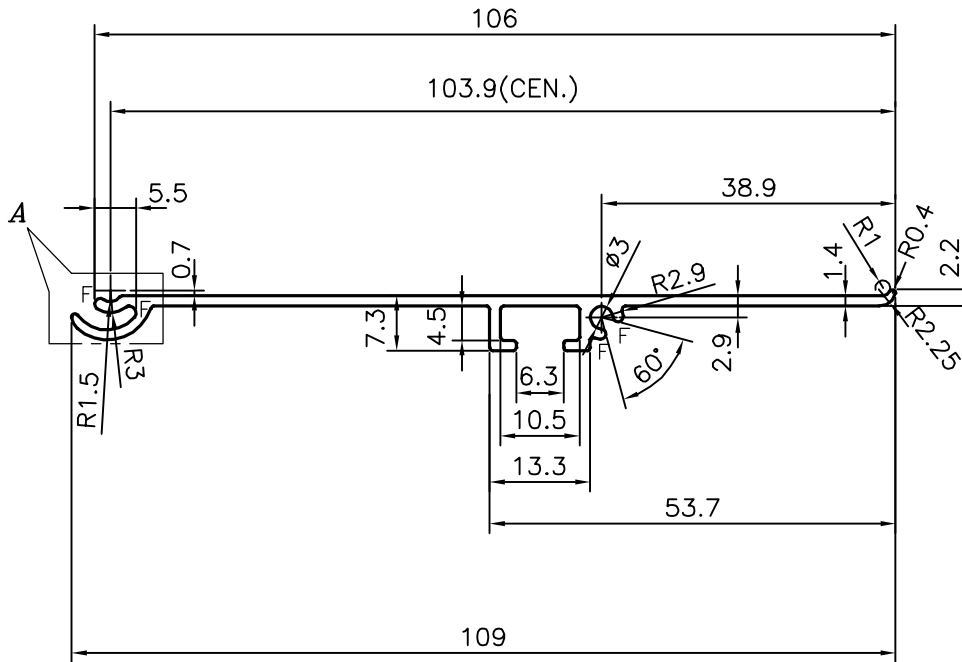
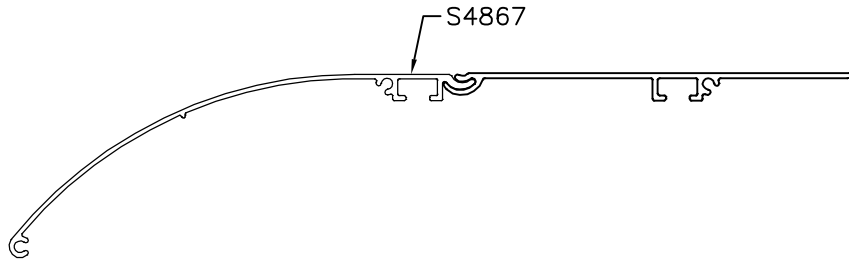



P-15626

S4868



DETAIL OF "A"
SCALE 3:1

F= FULL RADIUS(4 PLACES)

 SYMBOL OF QUALITY AN ISO 9001 COMPANY	JINDAL ALUMINIUM LTD. BANGALORE-560073 (INDIA)	NAME J.P.KAUSHIK	DATE 24-02-2016
		CHECKED	
1. ALL DIMENSIONS ARE IN mm. 2. ROUND OFF ALL SHARP CORNERS WITH 0.4 mm. 3. TOLERANCES WILL BE AS PER IS:3965-1981, UNLESS OTHERWISE SPECIFIED		APPROVED S.S.GARG	27-03-2016
PARTY'S NAME MAC LIFESTYLE PRODUCT PVT. LTD., NEW DELHI		SCALE 1:1	
PARTY'S DRAWING No. AS PER SAMPLE		AREA mm ² 194.236	
ALLOY & TEMPER 6063 T6		PERIMETER mm. 273.094	
DESCRIPTION MISC. SECTION		WEIGHT kg/m 0.524	
		DRAWING No. P-15626 S4868	SECTION No. - S4868