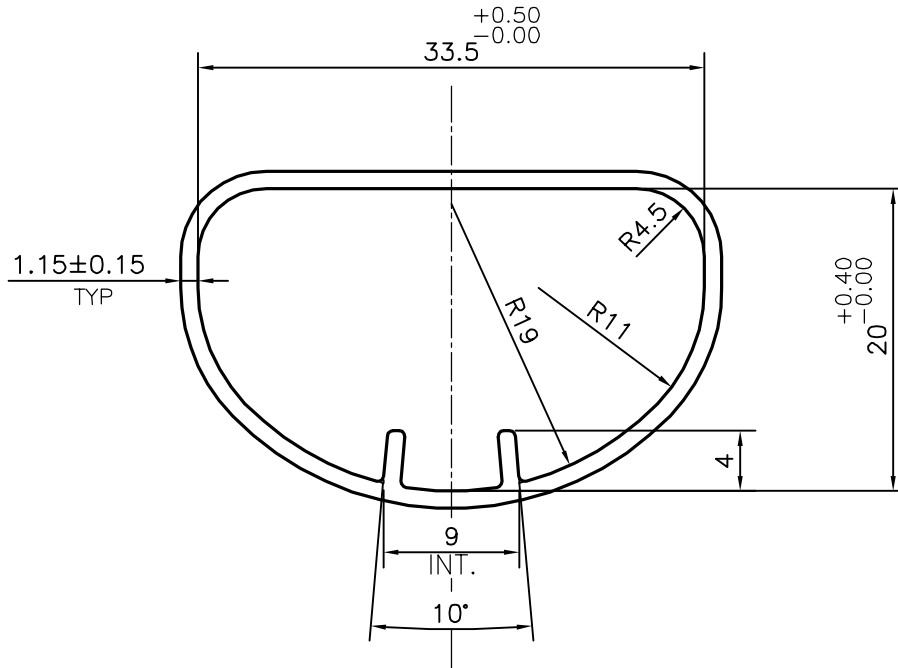
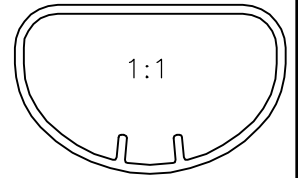


P-15559-1

S4871



SYMBOL OF QUALITY  
AN ISO 9001 COMPANY

**JINDAL ALUMINIUM LTD.**  
BANGALORE-560073 (INDIA)

	NAME	DATE
DRAWN	J.P.KAUSHIK	26-02-2016
CHECKED		
APPROVED	S.S.GARG	01-03-2016
SCALE		2:1
AREA mm <sup>2</sup>		116.124
PERIMETER mm.		97.377
WEIGHT kg/m		0.314
DRAWING No.	SECTION No.	
P-15559-1	-	
S4871	S4871	

1. ALL DIMENSIONS ARE IN mm.
2. ROUND OFF ALL SHARP CORNERS WITH 0.40 mm.
3. TOLERANCES WILL BE AS PER, IS:6477-1983 UNLESS OTHERWISE SPECIFIED

PARTY'S NAME	STOVEKRAFT PVT. LTD., BANGALORE
PARTY'S DRAWING No.	NE EXT 000 01 R2 & REQUIREMENT
ALLOY & TEMPER	6063 T6
DESCRIPTION	FLAME GUARD SECTION