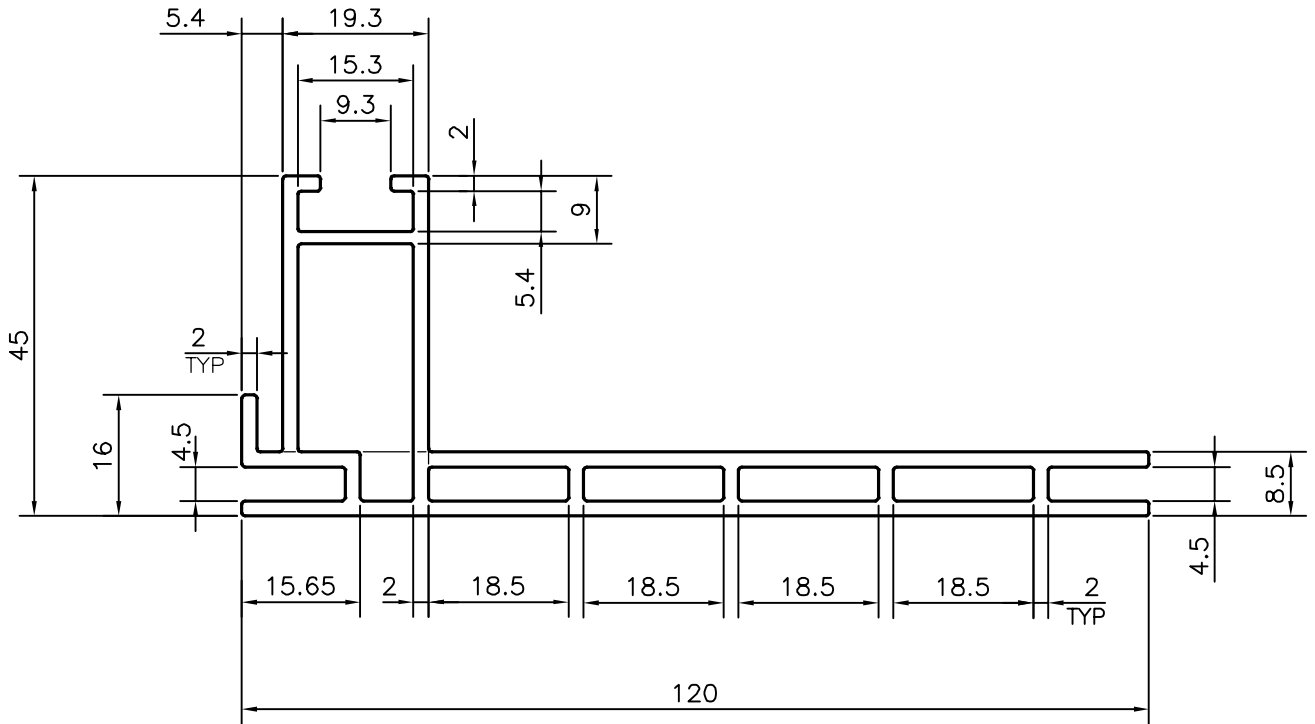


P-15568

S4874



SYMBOL OF QUALITY
AN ISO 9001 COMPANY

JINDAL ALUMINIUM LTD.
BANGALORE-560073 (INDIA)

	NAME	DATE
DRAWN	J.P.KAUSHIK	03-02-2016
CHECKED		
APPROVED	S.S.GARG	07-03-2016
SCALE		1:1
AREA mm ²		717.929
PERIMETER mm.		421.236
WEIGHT kg/m		1.938
DRAWING No.	SECTION No.	
P-15568	-	
S4874	S4874	

1. ALL DIMENSIONS ARE IN mm.
2. ROUND OFF ALL SHARP CORNERS WITH 0.40 mm.
3. TOLERANCES WILL BE AS PER IS:6477-1983 UNLESS OTHERWISE SPECIFIED

PARTY'S NAME	MERMAID PRINT CONCEPTS PVT. LTD., BANGALORE
PARTY'S DRAWING No.	AS PER SAMPLE
ALLOY & TEMPER	HE9 WP
DESCRIPTION	DISPLAY SECTION