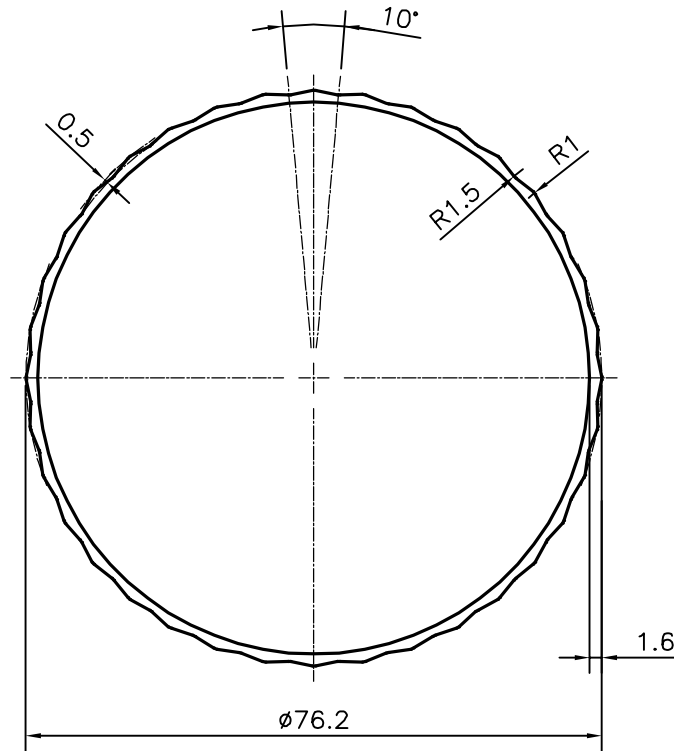


P-15684

S4879



SYMBOL OF QUALITY  
AN ISO 9001 COMPANY

**JINDAL ALUMINIUM LTD.**  
BANGALORE-560073 (INDIA)

	NAME	DATE
DRAWN	PARVESH	17-03-2016
CHECKED		
APPROVED	S.S.GARG	19-03-2016
SCALE		1:1
AREA mm <sup>2</sup>		310.628
PERIMETER mm.		240.566
WEIGHT kg/m		0.839
DRAWING No.	SECTION No.	
P-15684	-	
S4879	S4879	

1. ALL DIMENSIONS ARE IN mm.
2. ROUND OFF ALL SHARP CORNERS WITH 0.40 mm.
3. TOLERANCES WILL BE AS PER IS:6477-1983 , UNLESS OTHERWISE SPECIFIED

PARTY'S NAME	SRS AGRO SERVICE, UTTARKANNADA
PARTY'S DRAWING No.	LIGHTER OF SECTION No. 22585
ALLOY & TEMPER	HE9 WP
DESCRIPTION	LADDER SECTION