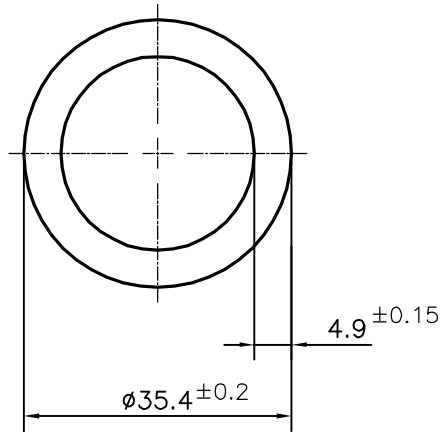



P-15573-3

S4888



 SYMBOL OF QUALITY AN ISO 9001 COMPANY	<b>JINDAL ALUMINIUM LTD.</b> <i>BANGALORE-560073 (INDIA)</i>		NAME	DATE
		DRAWN	<i>PARVESH</i>	16-03-2016
1. ALL DIMENSIONS ARE IN mm. 2. ROUND OFF ALL SHARP CORNERS WITH 0.40 mm. 3. TOLERANCES WILL BE AS PER IS:2673-2002 , UNLESS OTHERWISE SPECIFIED		CHECKED		
		APPROVED	S.S. GARG	29-03-2016
PARTY'S NAME PATELS AIRTEMP (INDIA) LTD., GANDHI NAGAR		SCALE		1:1
		AREA mm <sup>2</sup>		469.511
PARTY'S DRAWING No. AS PER SPECIFICATION		PERIMETER mm.		111.212
		WEIGHT kg/m		1.268
ALLOY & TEMPER 1060 F		DRAWING No.	SECTION No.	
		P-15573-3	-	
DESCRIPTION ROUND TUBE- MUFF TUBE		S4888		S4888