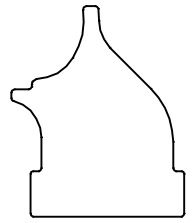
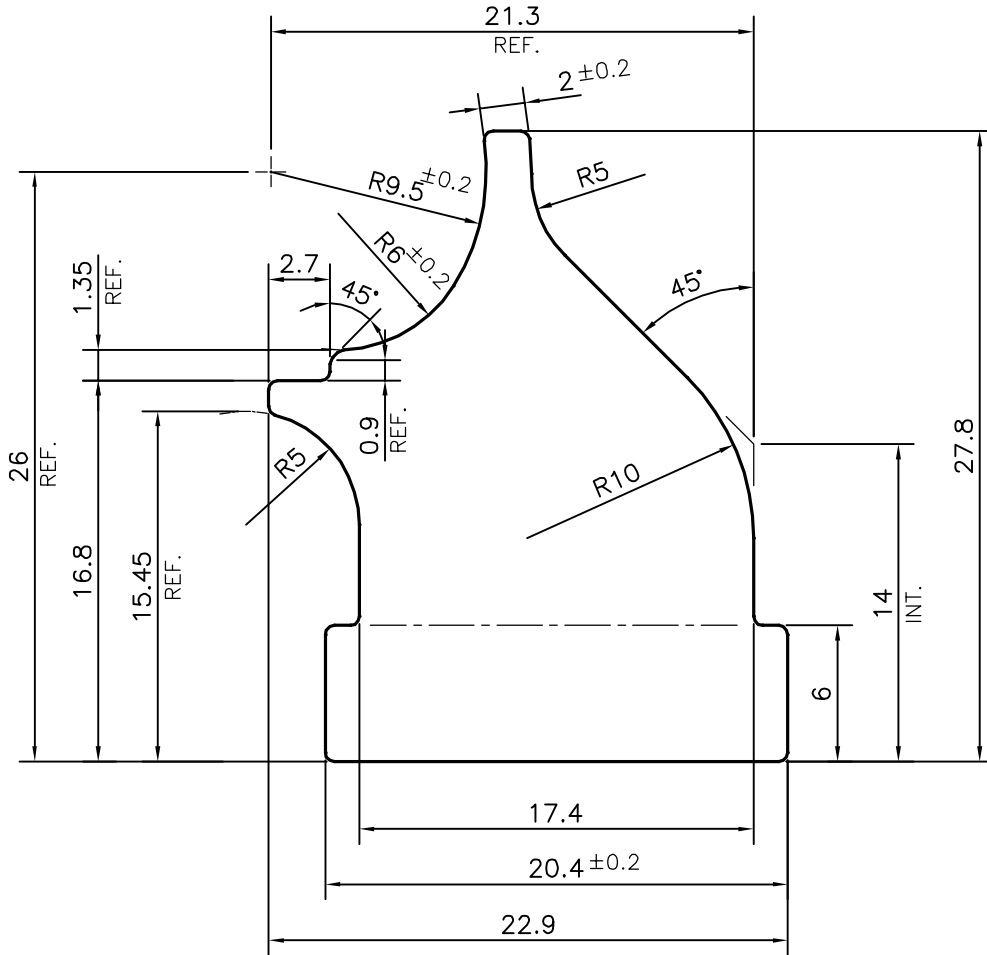


P-15675-1

S4895



SCALE:- 1:1



SYMBOL OF QUALITY  
AN ISO 9001 COMPANY

**JINDAL ALUMINIUM LTD.**  
BANGALORE-560073 (INDIA)

	NAME	DATE
DRAWN	PARVESH	29-03-2016
CHECKED		
APPROVED	S.S. GARG	04-04-2016
SCALE		3:1
AREA mm <sup>2</sup>		381.7
PERIMETER mm.		90.866
WEIGHT kg/m		1.031
DRAWING No.	SECTION No.	
P-15675-1	-	
S4895	S4895	

1. ALL DIMENSIONS ARE IN mm.
2. ROUND OFF ALL SHARP CORNERS WITH 0.40 mm.
3. TOLERANCES WILL BE AS PER IS:3965-1981 , UNLESS OTHERWISE SPECIFIED

PARTY'S NAME	GLOBAL AUTOTECH LTD., NOIDA
PARTY'S DRAWING No.	AS PER AUTOCAD DRAWING
ALLOY & TEMPER	DA3103S 'O'
DESCRIPTION	AUTOMOBILE SECTION