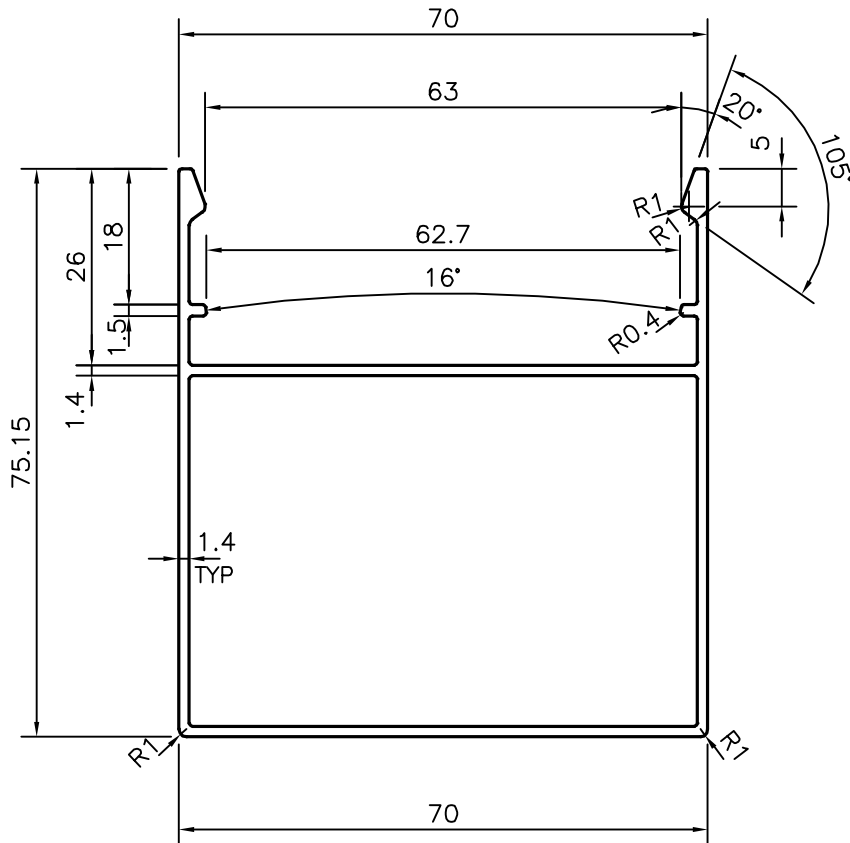
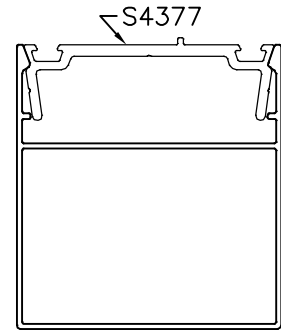


P-15252

S4898



SYMBOL OF QUALITY
AN ISO 9002 COMPANY

JINDAL ALUMINIUM LTD.
BANGALORE-560073 (INDIA)

| | NAME | DATE |
|----------------------|-------------|------------|
| DRAWN | J.P.KAUSHIK | 28-10-2015 |
| CHECKED | | |
| APPROVED | S.S. GARG | 04-04-2016 |
| SCALE | | 1:1 |
| AREA mm ² | | 422.669 |
| PERIMETER mm. | | 351.218 |
| WEIGHT kg/m | | 1.141 |
| DRAWING No. | SECTION No. | |
| P-15252 | - | |
| S4898 | S4898 | |
| | | |
| | | |

1. ALL DIMENSIONS ARE IN mm.
2. ROUND OFF ALL SHARP CORNERS WITH 0.40 mm.
3. TOLERANCES WILL BE AS PER IS:6477-1983 UNLESS OTHERWISE SPECIFIED

| | |
|---------------------|---|
| PARTY'S NAME | AHLUWALIA CONTRACTS INDIA LTD., NEW DELHI |
| PARTY'S DRAWING No. | AS PER AutoCAD DRAWING |
| ALLOY & TEMPER | 6063 T6 |
| DESCRIPTION | CURTAIN WALL MULLION PROFILE |