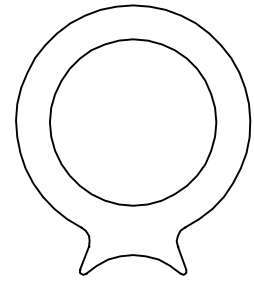
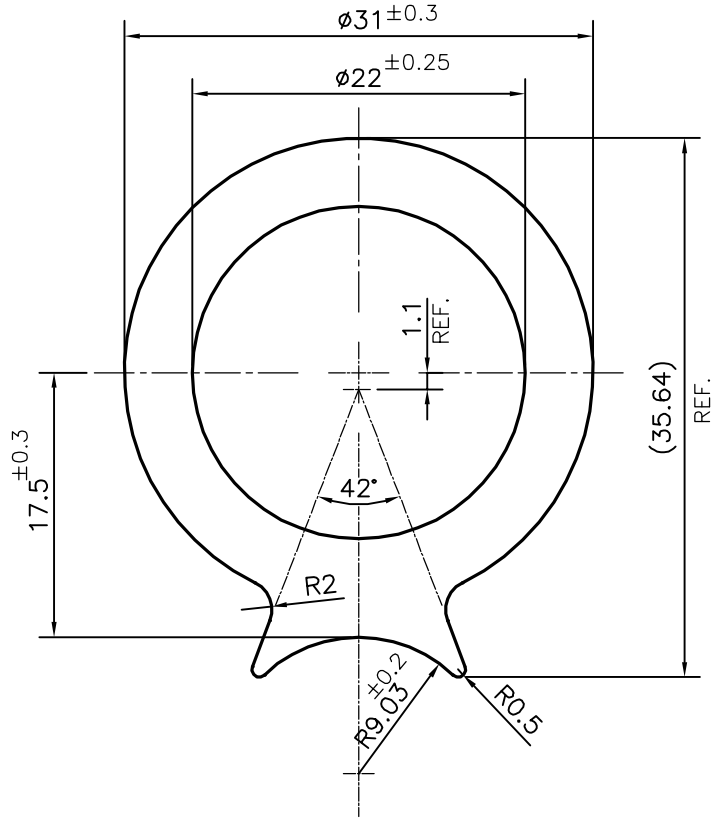


P-15678-1

S4910



SCALE:- 1:1



SYMBOL OF QUALITY  
AN ISO 9001 COMPANY

**JINDAL ALUMINIUM LTD.**  
BANGALORE-560073 (INDIA)

	NAME	DATE
DRAWN	PARVESH	26-03-2016
CHECKED		
APPROVED	S.S. GARG	14-04-2016

1. ALL DIMENSIONS ARE IN mm.
2. ROUND OFF ALL SHARP CORNERS WITH 0.40 mm.
3. TOLERANCES WILL BE AS PER IS:6477-1983 , UNLESS OTHERWISE SPECIFIED

SCALE	2:1
AREA mm <sup>2</sup>	415.592
PERIMETER mm.	112.084
WEIGHT kg/m	1.122

PARTY'S NAME	GLOBAL AUTOTECH LTD., NOIDA	DRAWING No.	P-15678-1	SECTION No.	-
PARTY'S DRAWING No.	TC-EX-321-00		S4910		S4910
ALLOY & TEMPER	DA3103BD 'O'				
DESCRIPTION	AUTOMOBILE SECTION				