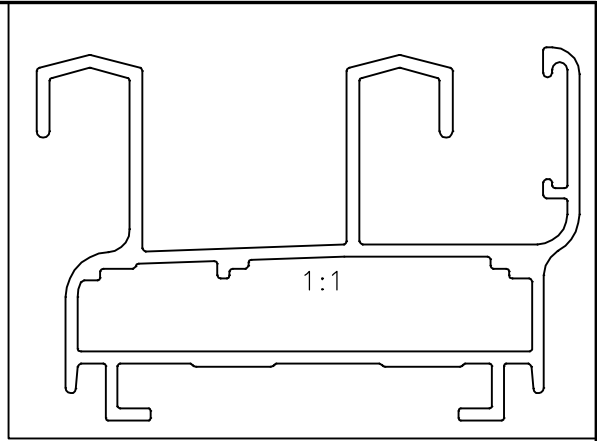
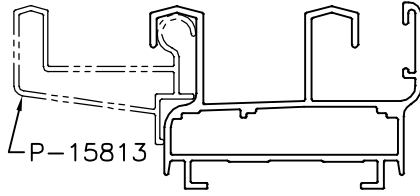
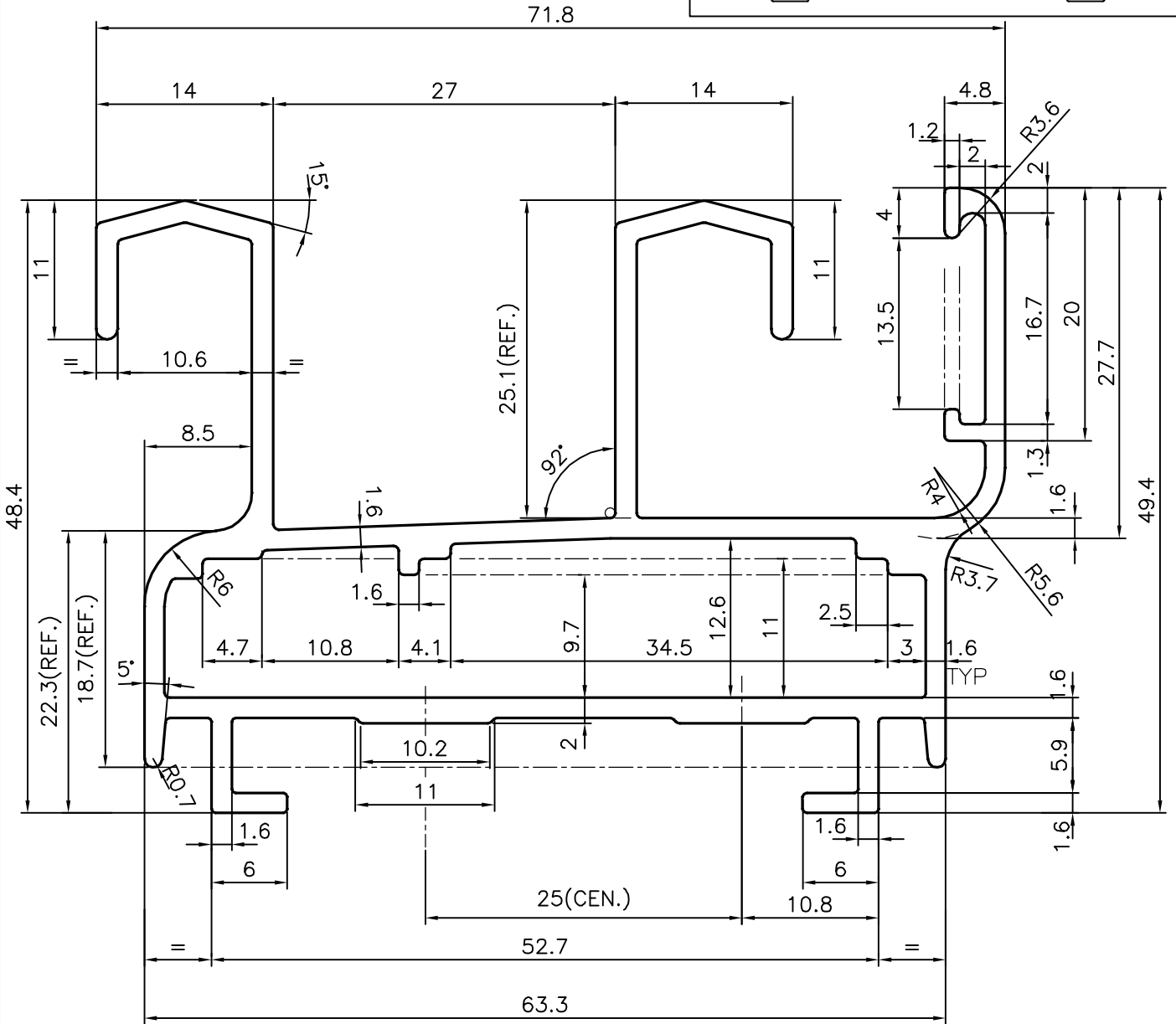


P-15809

S4927



ASSEMBLY SECTION :- S4929,S4930



SYMBOL OF QUALITY  
AN ISO 9001 COMPANY

**JINDAL ALUMINIUM LTD.**  
BANGALORE-560073 (INDIA)

	NAME	DATE
DRAWN	J.P.KAUSHIK	30-04-2016
CHECKED		
APPROVED	B. NATARAJ	06-05-2016
SCALE		2:1
AREA	mm <sup>2</sup>	531.624
PERIMETER	mm.	459.927
WEIGHT	kg/m	1.435
DRAWING No.	SECTION No.	
P-15809	-	
S4927	S4927	

1. ALL DIMENSIONS ARE IN mm.
2. ROUND OFF ALL SHARP CORNERS WITH 0.40 mm.
3. TOLERANCES WILL BE AS PER IS:6477-1983, UNLESS OTHERWISE SPECIFIED

PARTY'S NAME	FULL SPACE INTERIORS, MUMBAI
PARTY'S DRAWING No.	AS PER AutoCAD DRAWING
ALLOY & TEMPER	6063 T6
DESCRIPTION	WINDOW SECTION