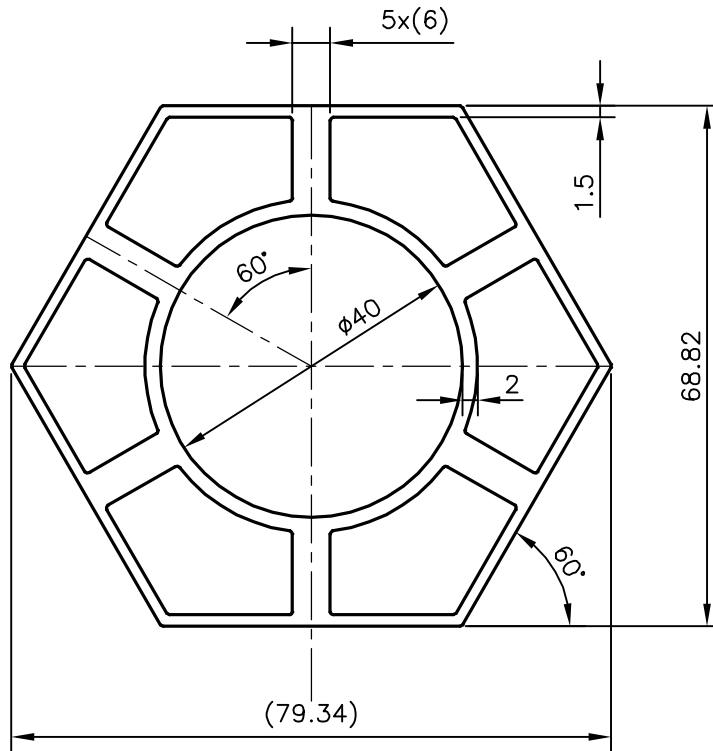


P-15835

S4939



SYMBOL OF QUALITY
AN ISO 9001 COMPANY

JINDAL ALUMINIUM LTD.
BANGALORE-560073 (INDIA)

	NAME	DATE
DRAWN	J.P.KAUSHIK	06-05-2016
CHECKED		
APPROVED	B. NATARAJ	12-05-2016
SCALE		1:1
AREA mm ²		943.14
PERIMETER mm.		238.141
WEIGHT kg/m		2.546
DRAWING No.	SECTION No.	
P-15835	-	
S4939	S4939	

1. ALL DIMENSIONS ARE IN mm.
2. ROUND OFF ALL SHARP CORNERS WITH 0.40 mm.
3. TOLERANCES WILL BE AS PER IS:6477-1983 UNLESS OTHERWISE SPECIFIED

PARTY'S NAME	SUVEG ELECTRONICS, AHMEDABAD
ISSUE No.	AS PER DRAWING
ALLOY & TEMPER	6063 T6
DESCRIPTION	HEAT SINK FOR LEDS