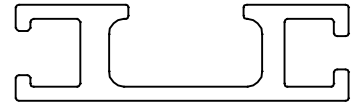
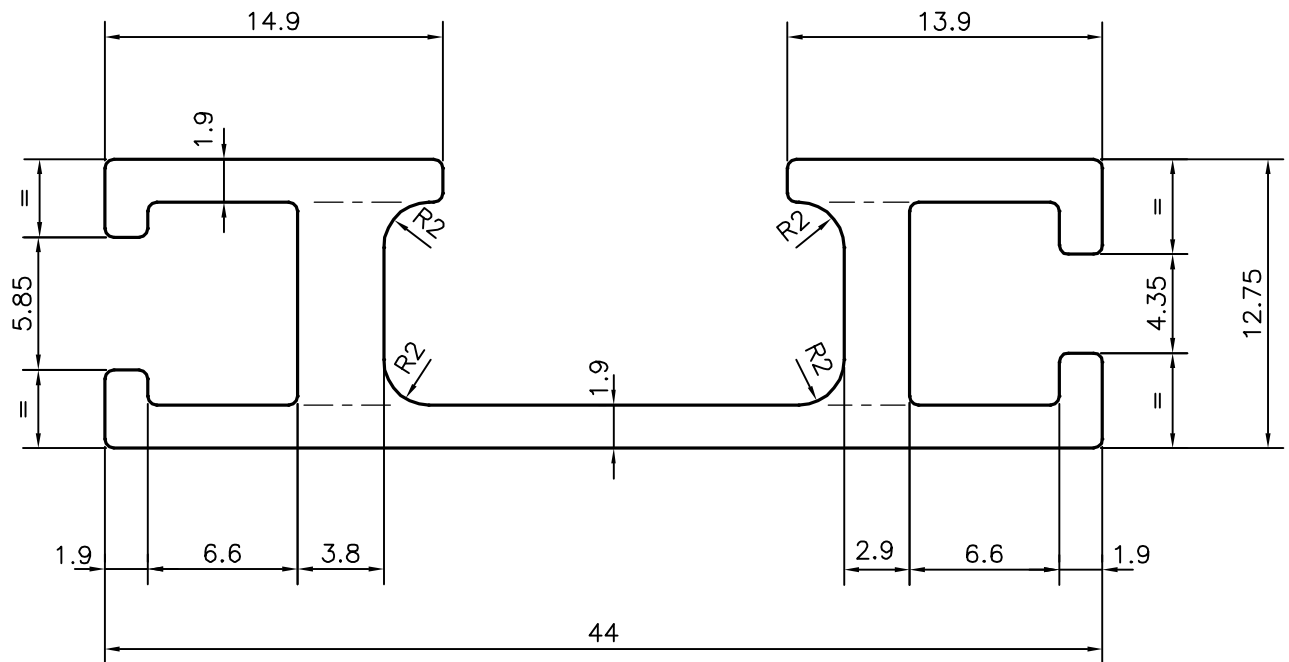


P-15863

S4948



1:1



SYMBOL OF QUALITY
AN ISO 9001 COMPANY

JINDAL ALUMINIUM LTD.
BANGALORE-560073 (INDIA)

	NAME	DATE
DRAWN	J.P.KAUSHIK	14-05-2016
CHECKED		
APPROVED	S.S. GARG	26-05-2016

1. ALL DIMENSIONS ARE IN mm.
2. ROUND OFF ALL SHARP CORNERS WITH 0.40 mm.
3. TOLERANCES WILL BE AS PER, IS:3965-1981 UNLESS OTHERWISE SPECIFIED

SCALE	3:1
AREA mm ²	216.074
PERIMETER mm.	187.246
WEIGHT kg/m	0.583

PARTY'S NAME	ELLORA BAKERY EQUIPMENTS, TRICHY
PARTY'S DRAWING No.	AS PER SAMPLE
ALLOY & TEMPER	6063 T6
DESCRIPTION	TRANSPORT SECTION

DRAWING No.	SECTION No.
P-15863	-
S4948	S4948