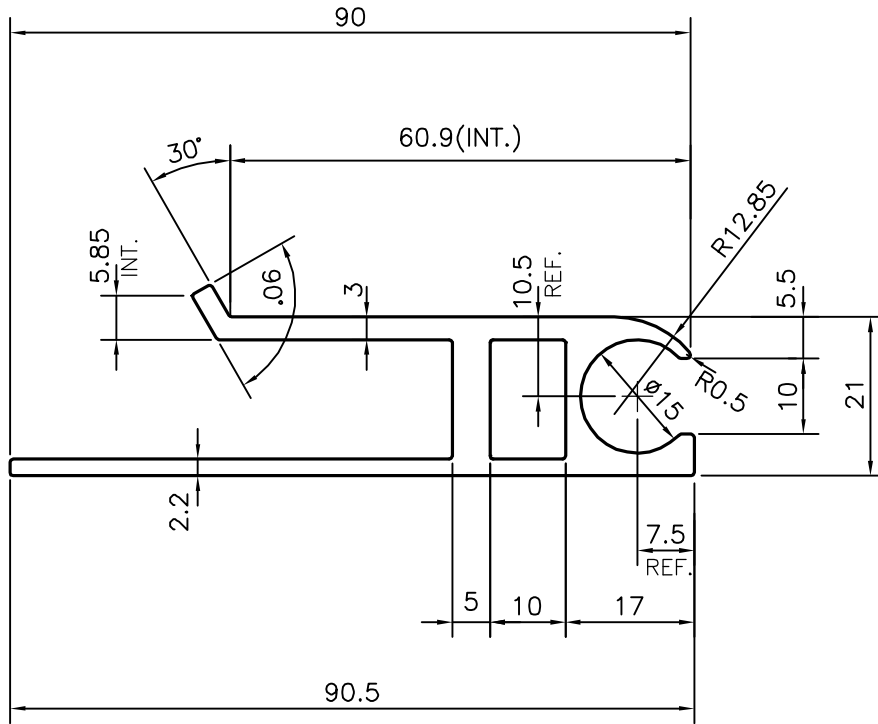


P-15913

S4959



SYMBOL OF QUALITY
AN ISO 9001 COMPANY

JINDAL ALUMINIUM LTD.
BANGALORE-560073 (INDIA)

	NAME	DATE
DRAWN	J.P.KAUSHIK	31-05-2016
CHECKED		
APPROVED	S.S. GARG	02-06-2016
SCALE		1:1
AREA mm ²		550.948
PERIMETER mm.		319.236
WEIGHT kg/m		1.488
DRAWING No.	SECTION No.	
P-15913	-	
S4959	S4959	

1. ALL DIMENSIONS ARE IN mm.
2. ROUND OFF ALL SHARP CORNERS WITH 0.40 mm.
3. TOLERANCES WILL BE AS PER, IS:6477-1983 UNLESS OTHERWISE SPECIFIED

PARTY'S NAME	P.D. PROJECTS, NEW DELHI
PARTY'S DRAWING No.	AS PER DRAWING
ALLOY & TEMPER	HE9 WP
DESCRIPTION	FLOOR SECTION