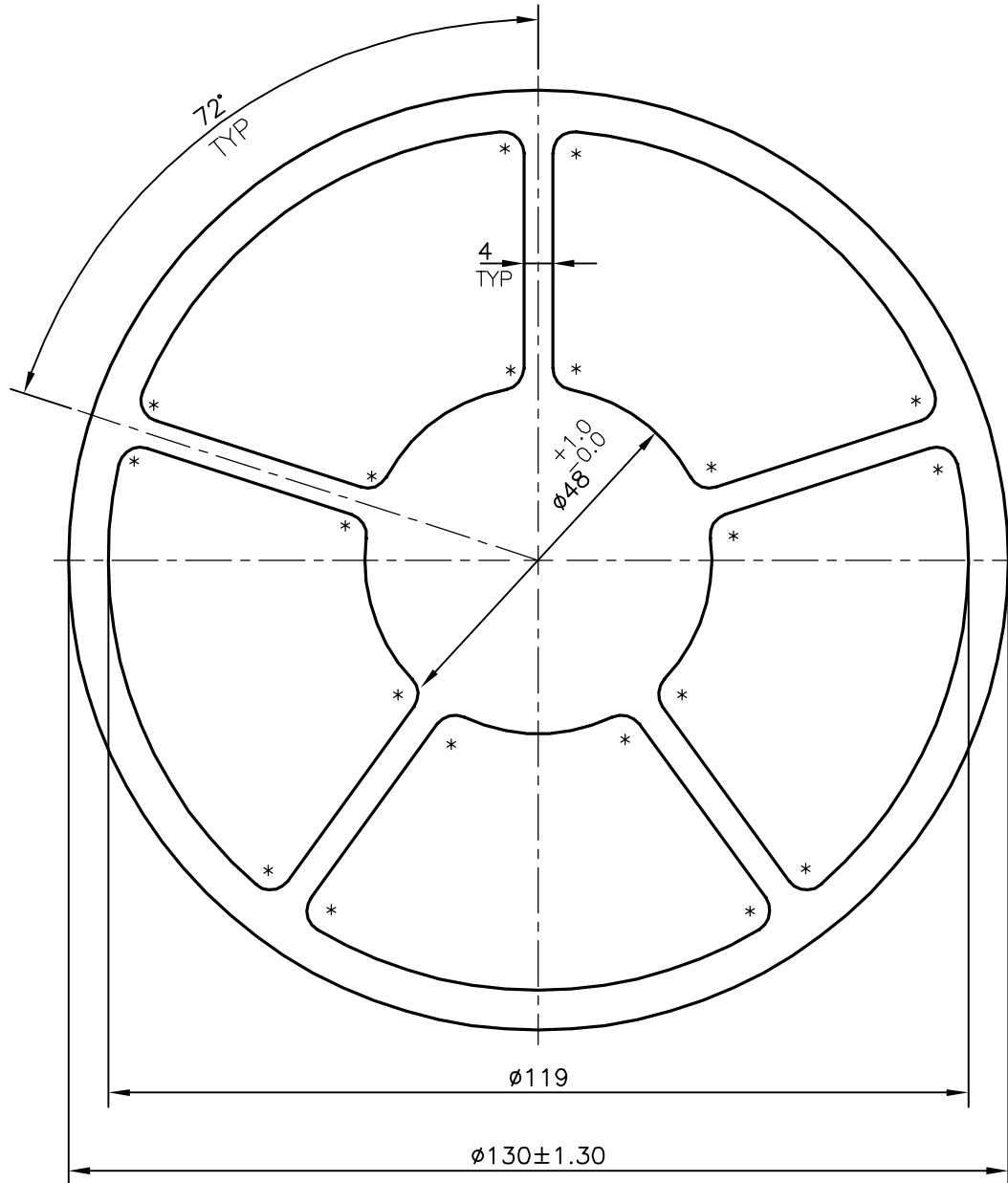


P-15871

S4981



* = 3.0 RADIUS (20 PLACES)



SYMBOL OF QUALITY
AN ISO 9001 COMPANY

JINDAL ALUMINIUM LTD.
BANGALORE-560073 (INDIA)

	NAME	DATE
DRAWN	J.P.KAUSHIK	18-05-2016
CHECKED		
APPROVED	S.S. GARG	27-06-2016
SCALE		1:1
AREA mm ²		4707.163
PERIMETER mm.		408.407
WEIGHT kg/m		12.709
DRAWING No.	SECTION No.	
P-15871	-	
S4981	S4981	

1. ALL DIMENSIONS ARE IN mm.
2. ROUND OFF ALL SHARP CORNERS WITH 0.40 mm.
3. TOLERANCES WILL BE AS PER, IS:6477-1983 UNLESS OTHERWISE SPECIFIED

PARTY'S NAME	SMS MEER INDIA PVT. LTD., GURGAON
PARTY'S DRAWING No.	RMALU000300
ALLOY & TEMPER	6060 T6
DESCRIPTION	PULLEY SECTION