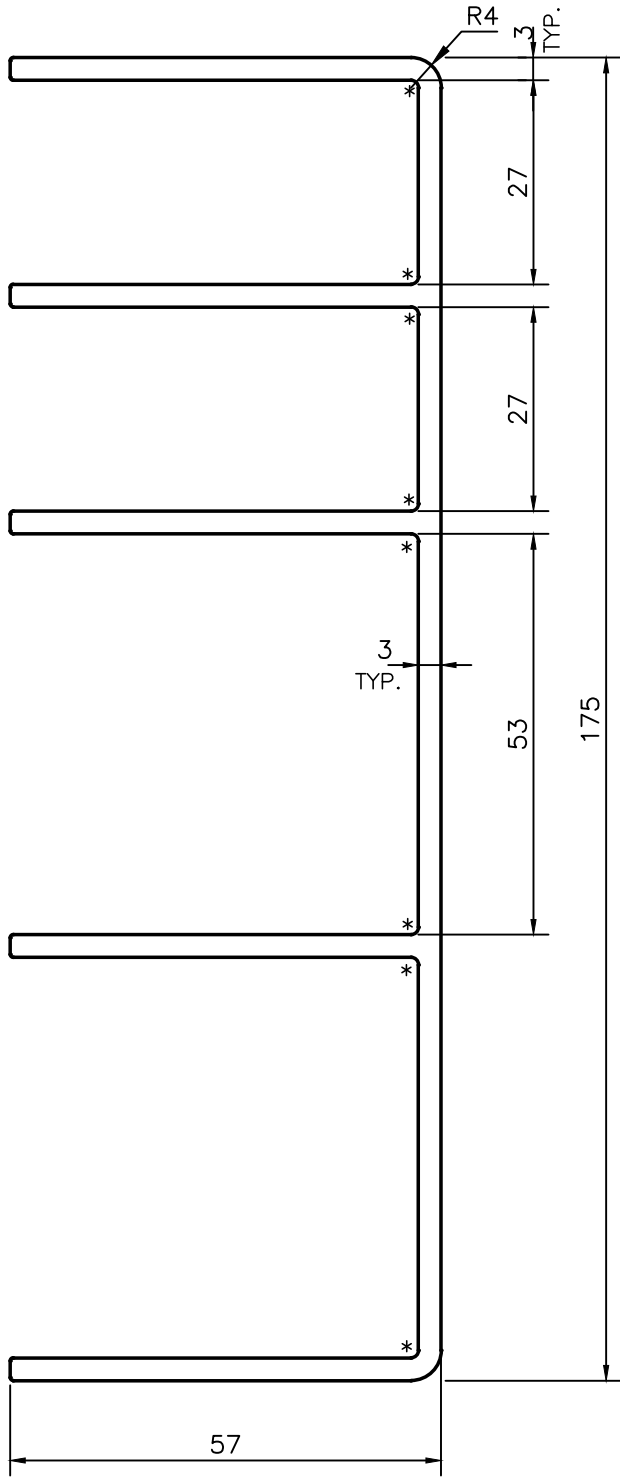



P-16061
S5004



* = 1.0 RADIUS (8 PLACES)

 SYMBOL OF QUALITY AN ISO 9001 COMPANY	JINDAL ALUMINIUM LTD. BANGALORE-560073 (INDIA)	DRAWN	NAME	DATE
		CHECKED	J.P.KAUSHIK	02-07-2016
1. ALL DIMENSIONS ARE IN mm. 2. ROUND OFF ALL SHARP CORNERS WITH 0.40 mm. 3. TOLERANCES WILL BE AS PER IS:3965-1981 , UNLESS OTHERWISE SPECIFIED		APPROVED	S.S. GARG	11-07-2016
		SCALE		1:1
PARTY'S NAME PRESSTON ENGINEERING CORPORATION, BANGALORE		AREA	mm ²	1329.506
		PERIMETER	mm.	887.416
PARTY'S DRAWING No. AS PER DRAWING		WEIGHT	kg/m	3.590
		DRAWING No.		SECTION No.
ALLOY & TEMPER 6063 T5		P-16061		-
		S5004		S5004
DESCRIPTION CABLE TRAY SECTION				