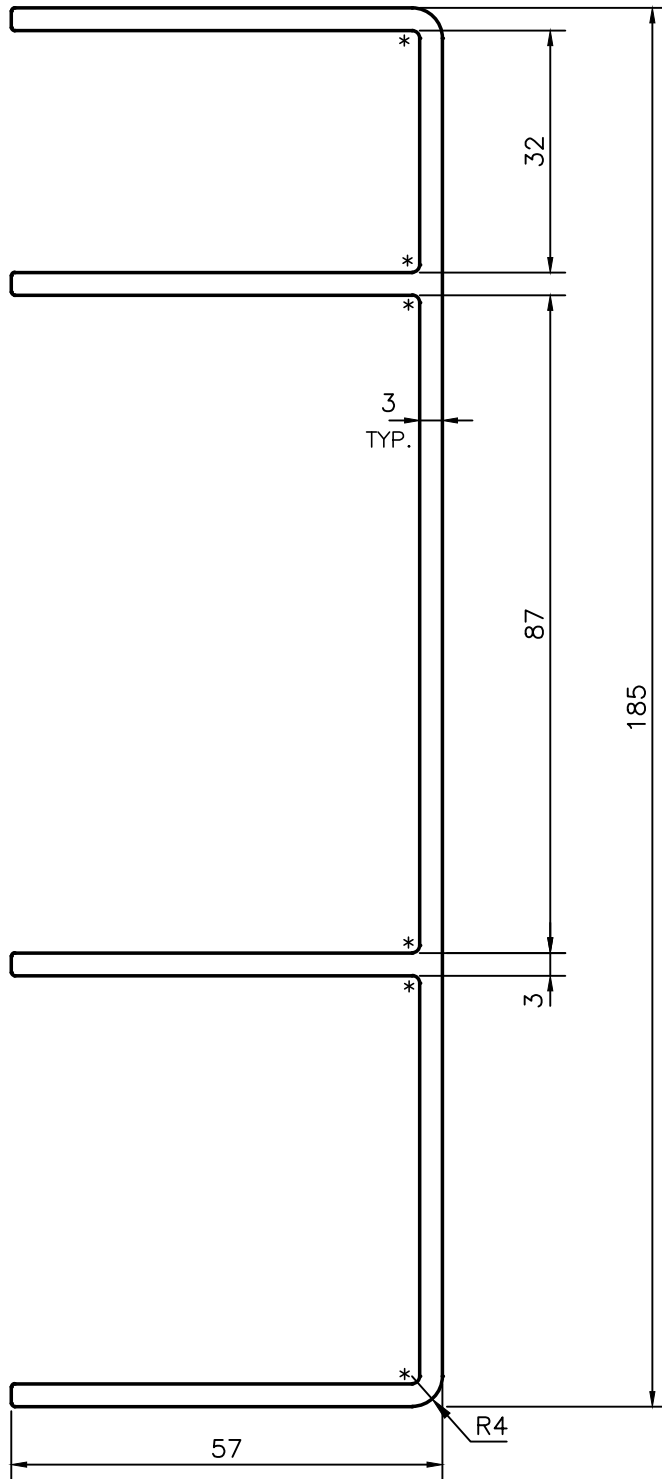



P-16063
S5006



\* = 1.0 RADIUS (6 PLACES)

 SYMBOL OF QUALITY AN ISO 9001 COMPANY	<b>JINDAL ALUMINIUM LTD.</b> BANGALORE-560073 (INDIA)	NAME	DATE
		DRAWN	J.P.KAUSHIK
1. ALL DIMENSIONS ARE IN mm. 2. ROUND OFF ALL SHARP CORNERS WITH 0.40 mm. 3. TOLERANCES WILL BE AS PER IS:3965-1981 , UNLESS OTHERWISE SPECIFIED		CHECKED	
		APPROVED	S.S. GARG
PARTY'S NAME PRESSTON ENGINEERING CORPORATION, BANGALORE		SCALE	1:1
		AREA mm <sup>2</sup>	1197.146
PARTY'S DRAWING No. AS PER DRAWING		PERIMETER mm.	800.618
		WEIGHT kg/m	3.232
ALLOY & TEMPER 6063 T5		DRAWING No.	SECTION No.
		P-16063	-
DESCRIPTION CABLE TRAY SECTION		S5006	S5006