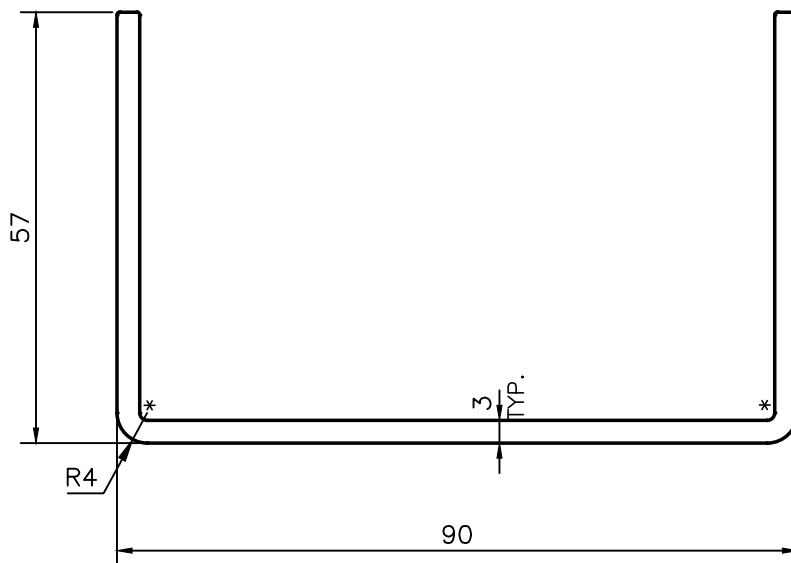


P-16065

S5008



* = 1.0 RADIUS (2 PLACES)



SYMBOL OF QUALITY
AN ISO 9001 COMPANY

JINDAL ALUMINIUM LTD.
BANGALORE-560073 (INDIA)

	NAME	DATE
DRAWN	J.P.KAUSHIK	02-07-2016
CHECKED		
APPROVED	S.S. GARG	11-07-2016
SCALE		1:1
AREA mm ²		587.425
PERIMETER mm.		397.021
WEIGHT kg/m		1.586
DRAWING No.	SECTION No.	
P-16065	-	
S5008	S5008	

1. ALL DIMENSIONS ARE IN mm.
2. ROUND OFF ALL SHARP CORNERS WITH 0.40 mm.
3. TOLERANCES WILL BE AS PER IS:3965-1981 , UNLESS OTHERWISE SPECIFIED

PARTY'S NAME	PRESSTON ENGINEERING CORPORATION, BANGALORE
PARTY'S DRAWING No.	AS PER DRAWING
ALLOY & TEMPER	6063 T5
DESCRIPTION	CABLE TRAY SECTION