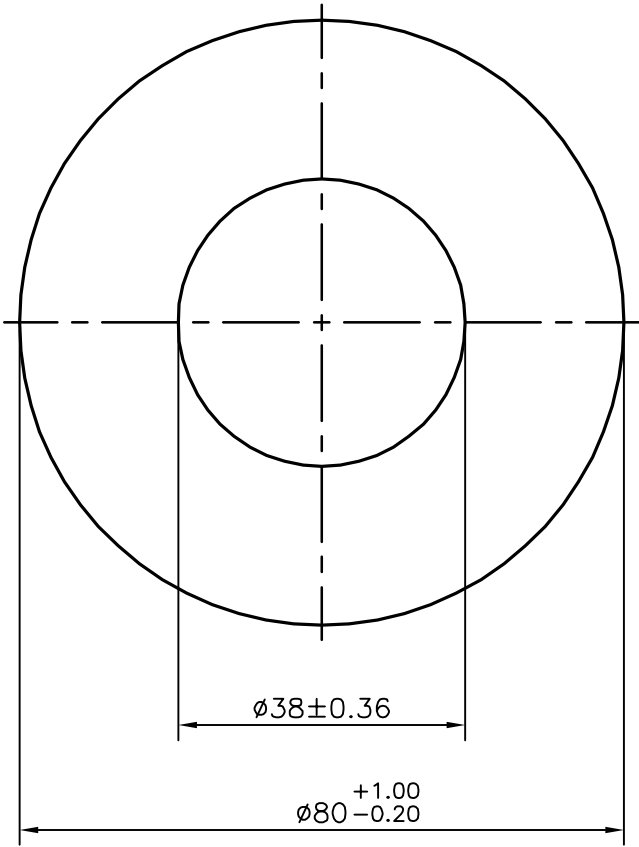



P-16151-1
S5058
-



 SYMBOL OF QUALITY AN ISO 9001 COMPANY	JINDAL ALUMINIUM LTD. <i>BANGALORE-560073 (INDIA)</i>		NAME	DATE
		DRAWN	KIRAN	09-08-2016
1. ALL DIMENSIONS ARE IN mm. 2. ROUND OFF ALL SHARP CORNERS WITH 0.40 mm. 3. TOLERANCES WILL BE AS PER IS:2673-2002, UNLESS OTHERWISE SPECIFIED		CHECKED		
		APPROVED	S.S. GARG	10-08-2016
PARTY'S NAME BUNTS TOOLS PVT.LTD., NASHIK		SCALE		1:1
		AREA mm ²		3892.433
PARTY'S DRAWING No. AS PER SPECIFICATION		PERIMETER mm.		251.327
		WEIGHT kg/m		10.509
ALLOY & TEMPER 6082 T6		DRAWING No.	SECTION No.	
		P-16151-1	-	
DESCRIPTION ROUND TUBE		S5058	S5058	
		-	-	