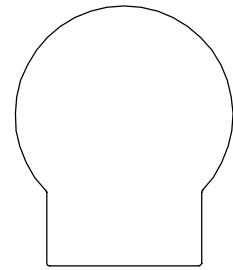
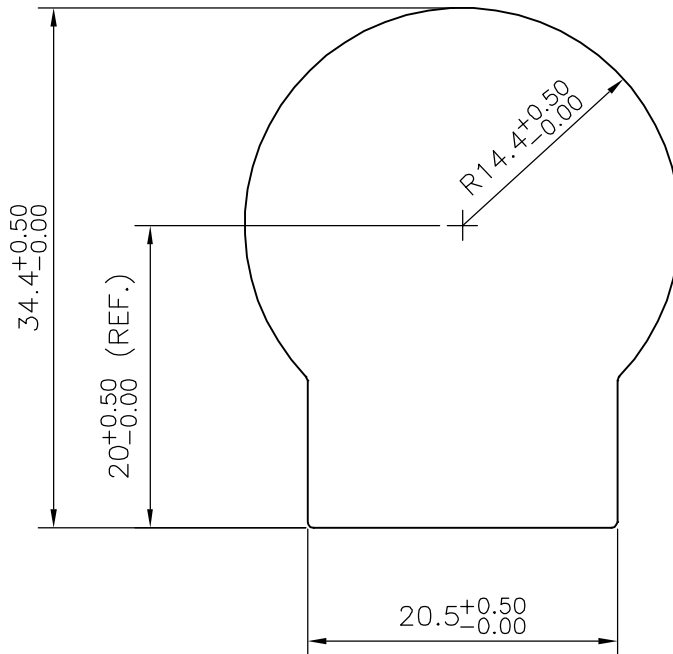


P-16236

S5067



SCALE 1:1



ISSUE-2

TOLERANCE ADDED ON DIMENSIONS 20.5^{+0.50/-0.00}, 34.4^{+0.50/-0.00}, 20^{+0.50/-0.00} & R14.4^{+0.50/-0.00}



SYMBOL OF QUALITY
AN ISO 9001 COMPANY

JINDAL ALUMINIUM LTD.
BANGALORE-560073 (INDIA)

	NAME	DATE
DRAWN	KIRAN	24-09-2016
CHECKED		
APPROVED	S.S. GARG	27-09-2016
SCALE		2:1
AREA mm ²		793.465
PERIMETER mm.		107.561
WEIGHT kg/m		2.142
DRAWING No.	SECTION No.	
P-16236		
S5067	S5067(ISSUE2)	

1. ALL DIMENSIONS ARE IN mm.
2. ROUND OFF ALL SHARP CORNERS WITH 0.40 mm.
3. TOLERANCES WILL BE AS PER IS:3965-1981, UNLESS OTHERWISE SPECIFIED

PARTY'S NAME	VEER-O-METALS PVT. LTD., BANGALORE
PARTY'S DRAWING No.	AS PER DRAWING
ALLOY & TEMPER	6060 'O'
DESCRIPTION	E-CORE END CAP