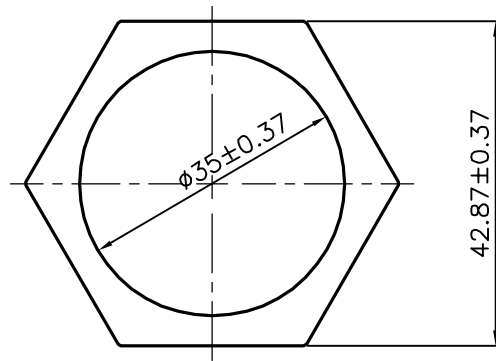


P-16283-1

S5077



SYMBOL OF QUALITY
AN ISO 9001 COMPANY

JINDAL ALUMINIUM LTD.
BANGALORE-560073 (INDIA)

	NAME	DATE
DRAWN	J.P.KAUSHIK	01-09-2016
CHECKED		
APPROVED	S.S. GARG	03-09-2016

1. ALL DIMENSIONS ARE IN mm.
2. ROUND OFF ALL SHARP CORNERS WITH 0.40 mm.
3. TOLERANCES WILL BE AS PER IS:6477-1983 UNLESS OTHERWISE SPECIFIED

SCALE	1:1
AREA mm ²	629.449
PERIMETER mm.	148.248
WEIGHT kg/m	1.700

PARTY'S NAME	VMX CONNECTORS PVT. LTD., BANGALORE	DRAWING No.	P-16283-1	SECTION No.	-
PARTY'S DRAWING No.	AS PER SPECIFICATION		S5077		S5077
ALLOY & TEMPER	6061 T6				
DESCRIPTION	HEXAGONAL TUBE				