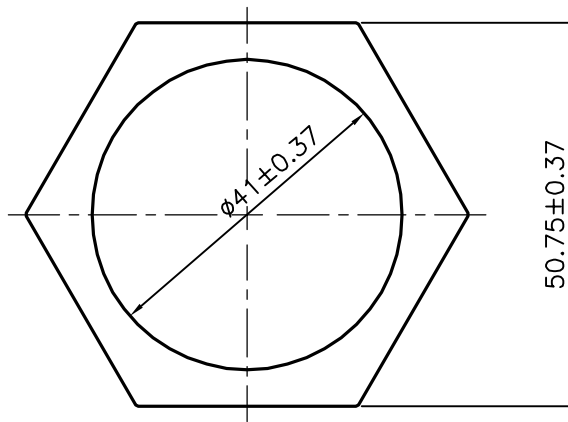


P-16284-1

S5078



SYMBOL OF QUALITY  
AN ISO 9001 COMPANY

**JINDAL ALUMINIUM LTD.**  
*BANGALORE-560073 (INDIA)*

	NAME	DATE
DRAWN	J.P.KAUSHIK	01-09-2016
CHECKED		
APPROVED	S.S. GARG	03-09-2016
SCALE		1:1
AREA mm <sup>2</sup>		910.197
PERIMETER mm.		175.545
WEIGHT kg/m		2.458
DRAWING No.	SECTION No.	
P-16284-1	-	
S5078	S5078	

1. ALL DIMENSIONS ARE IN mm.
2. ROUND OFF ALL SHARP CORNERS WITH 0.40 mm.
3. TOLERANCES WILL BE AS PER IS:6477-1983 UNLESS OTHERWISE SPECIFIED

PARTY'S NAME	VMX CONNECTORS PVT. LTD., BANGALORE
PARTY'S DRAWING No.	AS PER SPECIFICATION
ALLOY & TEMPER	6061 T6
DESCRIPTION	HEXAGONAL TUBE