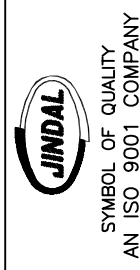
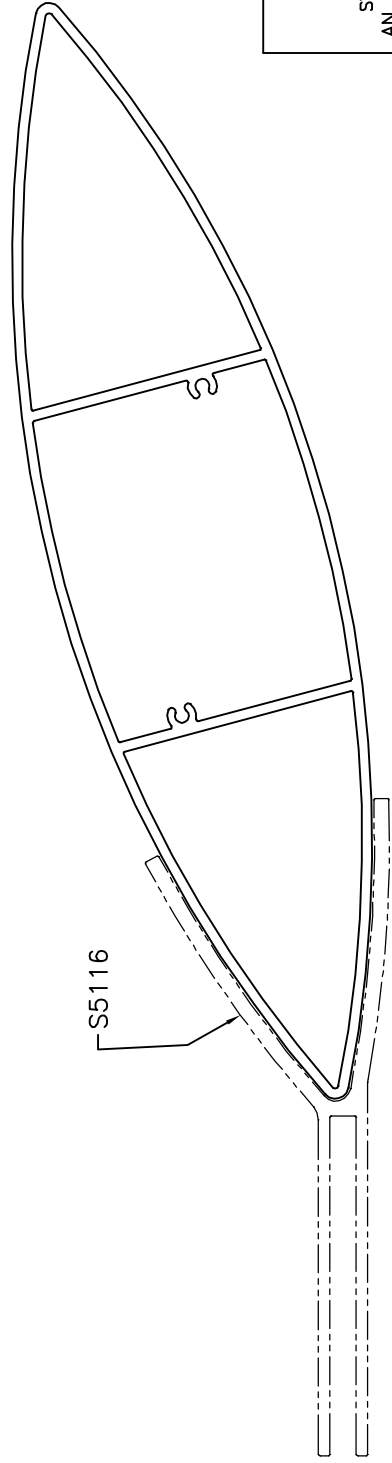
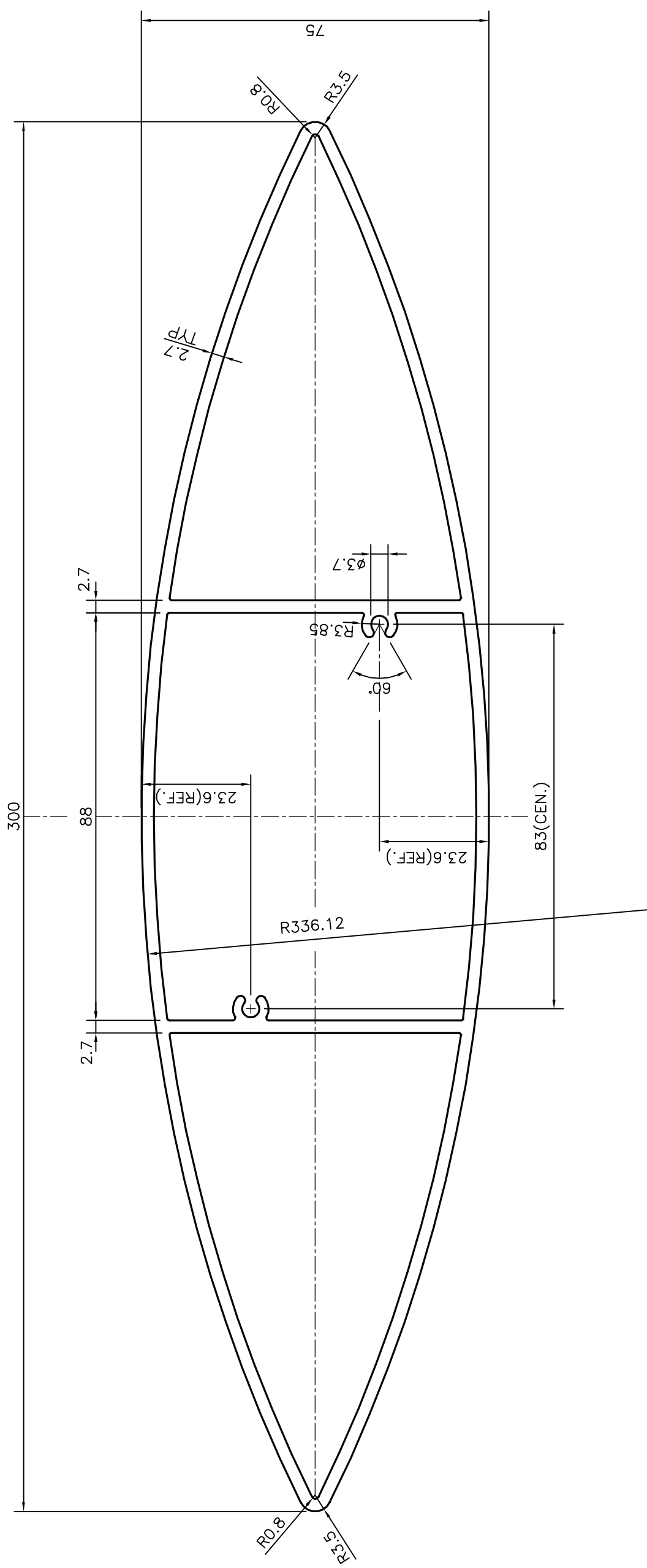


P-16370

S5117



JINDAL ALUMINIUM LTD.
 BANGALORE-560073 (INDIA)

1. ALL DIMENSIONS ARE IN mm.
2. ROUND OFF ALL SHARP CORNERS WITH 0.40 mm.
3. TOLERANCES WILL BE AS PER IS:6477-1983 UNLESS OTHERWISE SPECIFIED

PARTY'S NAME	MARVEL TOUCH ALUMINIUM PVT. LTD., MUMBAI
PARTY'S DRAWING No.	AS PER AutoCAD DRAWING
ALLOY & TEMPER	6063 T6
DESCRIPTION	LOUVER SECTION

DRAWN	J.P.KAUSHIK	21-09-2016
CHECKED		
APPROVED	B.NATARAJ	19-10-2016
SCALE		1:1
AREA	mm ²	2065.094
PERIMETER	mm.	628.812
WEIGHT	kg/m	5.576
DRAWING No.		SECTION No.
P-16370		-
S5117		S5117