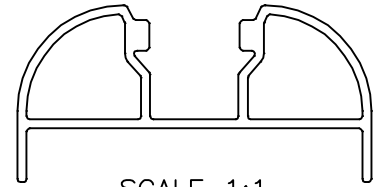
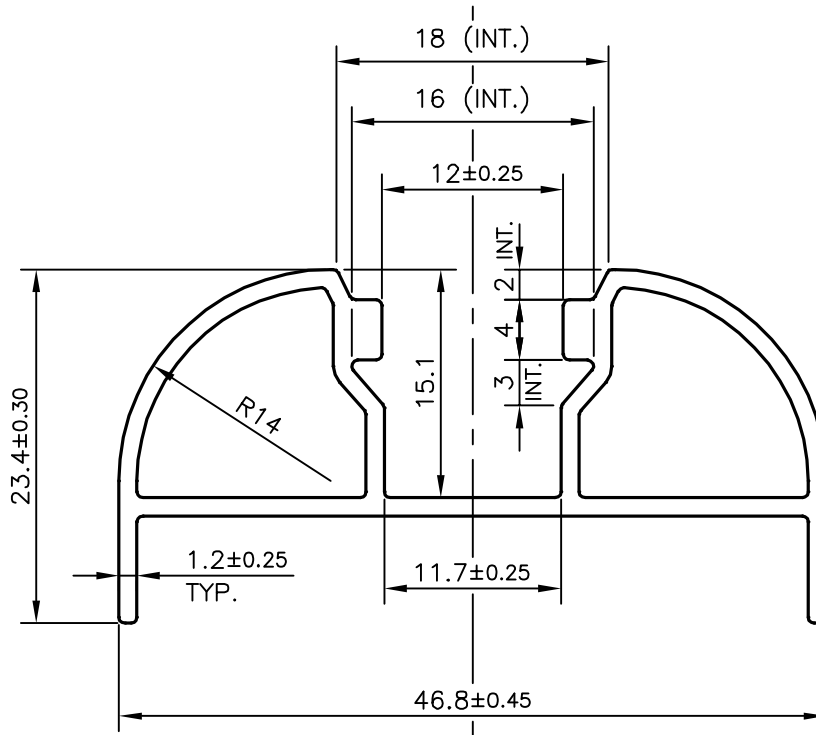


P-16631

S5244



SCALE 1:1



## TOLERANCES ON OVERALL DIMENSIONS OF HOLLOW SECTIONS

UPTO 20.0mm - ±0.30  
 UPTO 30.0mm - ±0.38  
 UPTO 40.0mm - ±0.45  
 UPTO 50.0mm - ±0.52  
 UPTO 60.0mm - ±0.60

UPTO 80.0mm - ±0.70  
 UPTO 100.0mm - ±0.80  
 UPTO 120.0mm - ±0.90  
 UPTO 140.0mm - ±1.00  
 UPTO 160.0mm - ±1.14

UPTO 180.0mm - ±1.27  
 UPTO 200.0mm - ±1.40  
 UPTO 225.0mm - ±1.52

1. STRAIGHTNESS=1.7mm/M  
 2. TWIST=1.7mm/M  
 3. ANGULARITY= ±2°  
 4. FLATNESS =0.006xWIDTH



SYMBOL OF QUALITY  
 AN ISO 9001 COMPANY

**JINDAL ALUMINIUM LTD.**  
 BANGALORE-560073 (INDIA)

|          | NAME      | DATE       |
|----------|-----------|------------|
| DRAWN    | KIRAN     | 19-12-2016 |
| CHECKED  |           |            |
| APPROVED | B.NATARAJ | 06-01-2017 |

1. ALL DIMENSIONS ARE IN mm.
2. ROUND OFF ALL SHARP CORNERS WITH 0.40 mm.
3. TOLERANCES WILL BE AS PER IS:6477-1983, UNLESS OTHERWISE SPECIFIED

|                      |             |
|----------------------|-------------|
| SCALE                | 2:1         |
| AREA mm <sup>2</sup> | 179.62      |
| PERIMETER mm.        | 173.912     |
| WEIGHT kg/m          | 0.485       |
| DRAWING No.          | SECTION No. |

|                     |  |
|---------------------|--|
| PARTY'S NAME        | VELCA RACKING SYSTEMS PVT. LTD., BANGALORE |
| PARTY'S DRAWING No. | D-5403                                     |
| ALLOY & TEMPER      | 6063 T6                                    |
| DESCRIPTION         | MISC. SECTION                              |

|         |       |
|---------|-------|
| P-16631 |       |
| S5244   | S5244 |
|         |       |
|         |       |