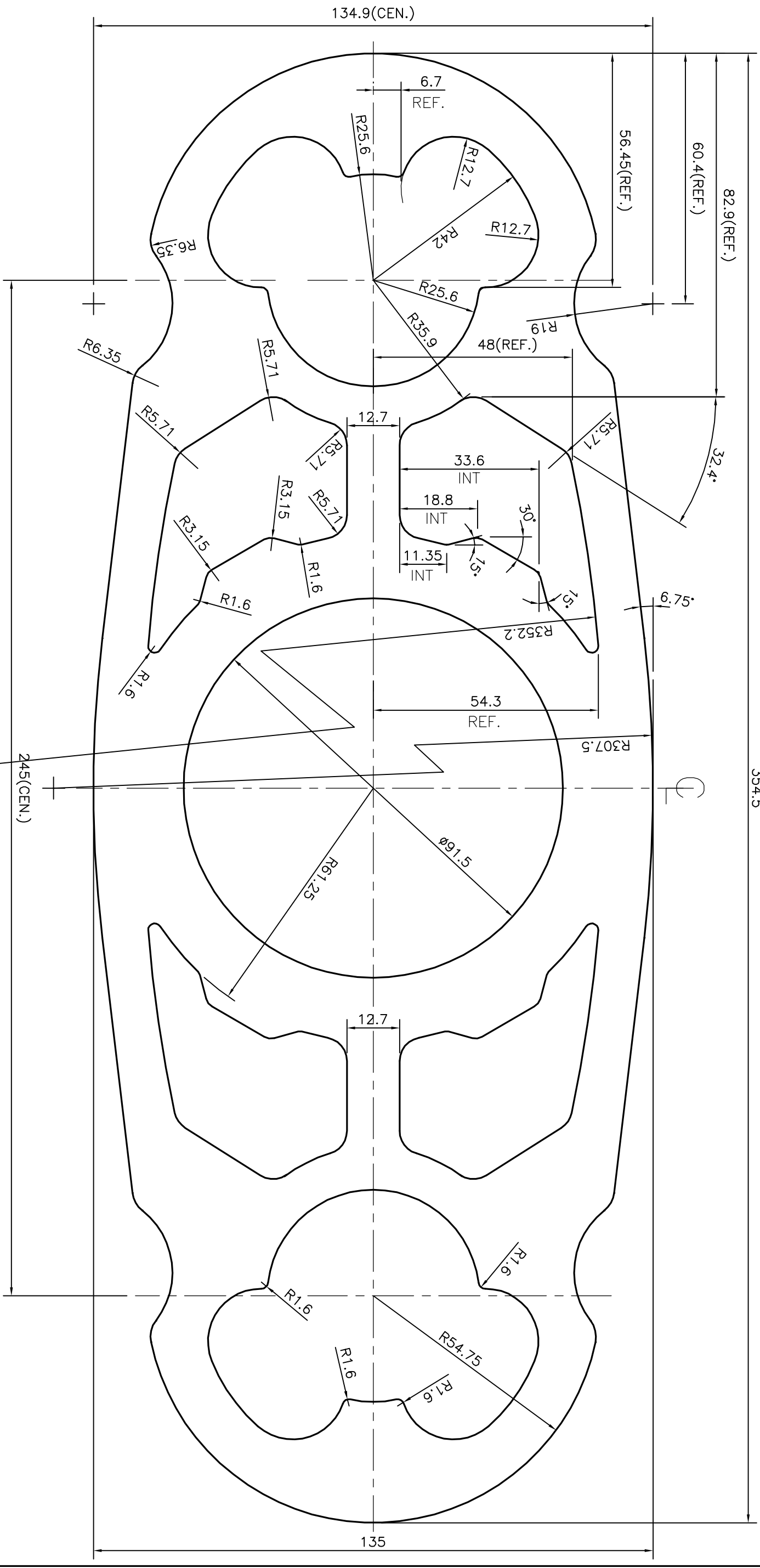



P-16820-1

S5303

354.5



TOLERANCES ON OVERALL WIDTHS & WIDTHS ACROSS FLATS OF BARS, & REGULAR SECTIONS			
UPTO 6.40mm	- ±0.20	UPTO 32.0mm	- ±0.38
UPTO 10.0mm	- ±0.23	UPTO 50.0mm	- ±0.46
UPTO 12.0mm	- ±0.25	UPTO 60.0mm	- ±0.53
UPTO 16.0mm	- ±0.28	UPTO 80.0mm	- ±0.69
UPTO 25.0mm	- ±0.30	UPTO 100.0mm	- ±0.75
		UPTO 120.0mm	- ±0.85
		UPTO 160.0mm	- ±1.02
		UPTO 200.0mm	- ±1.14
		UPTO 250.0mm	- ±1.40
		UPTO 300.0mm	- ±1.65
		UPTO 320.00mm	- ±1.70

 SYMBOL OF QUALITY AN ISO 9001 COMPANY		JINDAL ALUMINIUM LTD. BANGALORE-560073 (INDIA)	
1. ALL DIMENSIONS ARE IN mm. 2. ROUND OFF ALL SHARP CORNERS WITH 0.40 mm. 3. TOLERANCES WILL BE AS PER IS:6477-1983 UNLESS OTHERWISE SPECIFIED		SAS PRECISION ENGINEERING PVT. LTD., BANGALORE	
PARTY'S NAME		PARTY'S NAME	
PARTY'S DRAWING No.		PARTY'S DRAWING-160412-R01	
ALLOY & TEMPER		6061 T6	
DESCRIPTION		CENTER AXIS-50 DROP HOUSING SECTION	
DRAWN	J.P. KAUSHIK	DATE	15-02-2017
CHECKED			
APPROVED	B. NATARAU		17-02-2017
SCALE			1:1
AREA	mm ²		19892.681
PERIMETER	mm.		852.48
WEIGHT	kg/m		53.710
DRAWING No.	P-16820-1	SECTION No.	-
	S5303		S5303