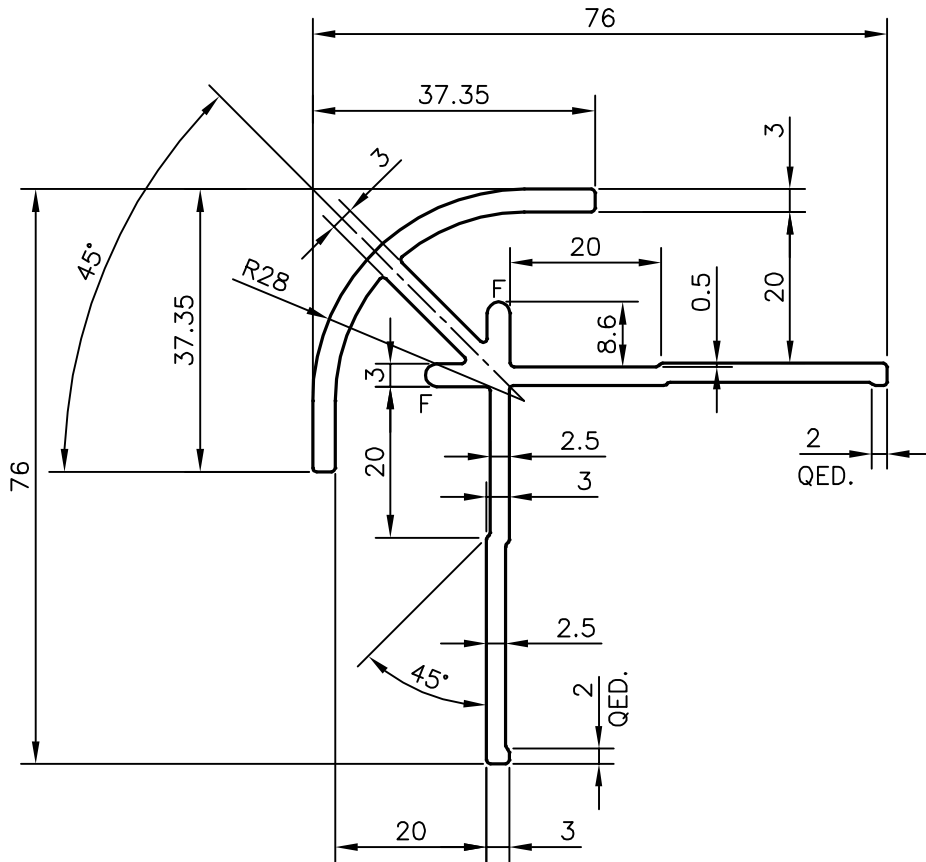


P-16816-1

S5311



F : FULL RADIUS (2 PLACES)



SYMBOL OF QUALITY
AN ISO 9001 COMPANY

JINDAL ALUMINIUM LTD.
BANGALORE-560073 (INDIA)

	NAME	DATE
DRAWN	KIRAN	16-02-2017
CHECKED		
APPROVED	B.NATARAJ	24-02-2017

1. ALL DIMENSIONS ARE IN mm.
2. ROUND OFF ALL SHARP CORNERS WITH 0.50 mm.
3. TOLERANCES WILL BE AS PER IS:3965-1981, UNLESS OTHERWISE SPECIFIED

SCALE	1:1
AREA mm ²	542.063
PERIMETER mm.	390.964
WEIGHT kg/m	1.464

PARTY'S NAME	ECO EARTH SOLUTIONS OPC PVT. LTD., MUMBAI
PARTY'S DRAWING No.	L CORNER PROFILE & REQUIREMENT
ALLOY & TEMPER	6063 T6
DESCRIPTION	INDUSTRIAL MISC. SECTION

DRAWING No.	SECTION No.
P-16816-1	
S5311	S5311