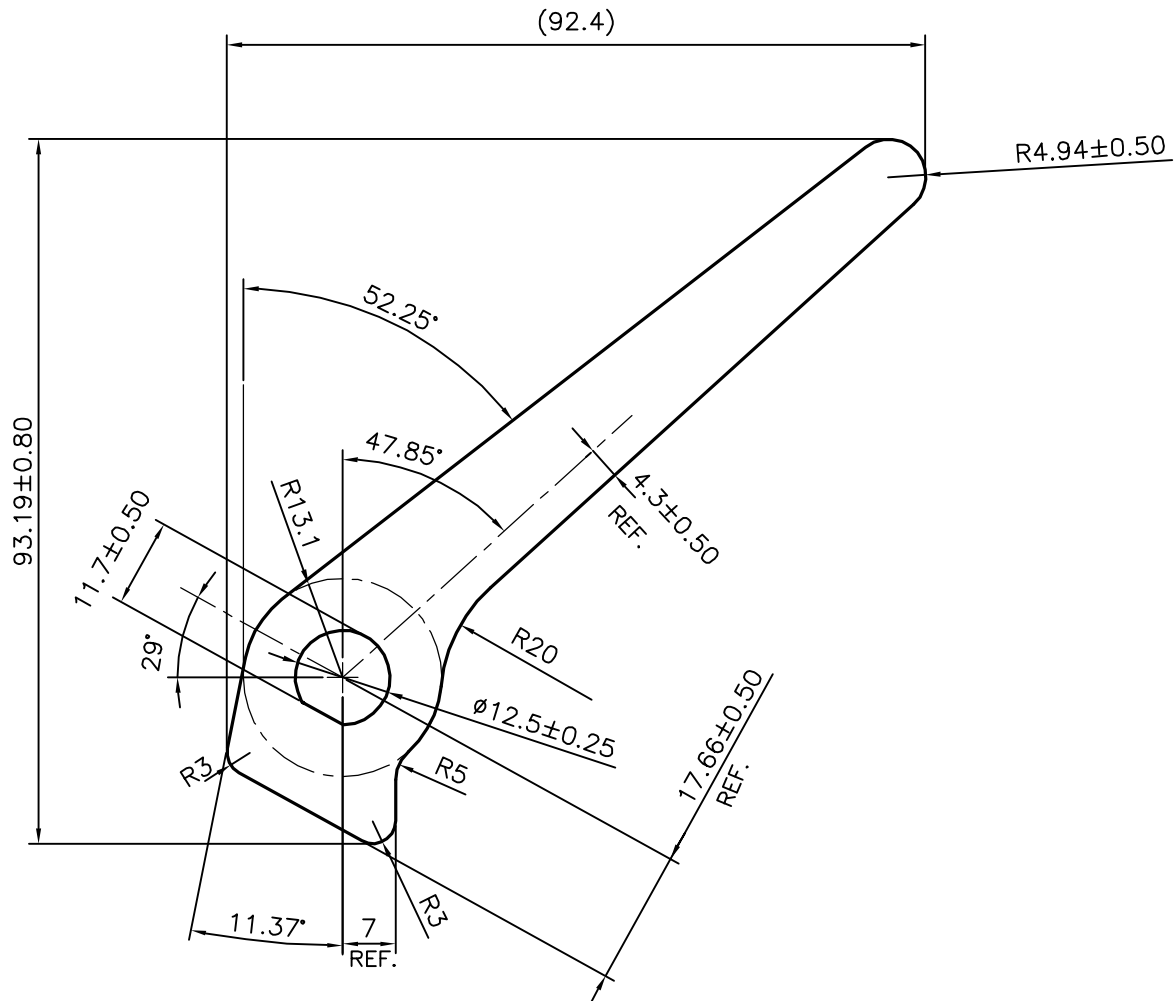



P-16854-1

S5315



TOLERANCES ON OVERALL DIMENSIONS OF HOLLOW SECTIONS

UPTO 20.0mm - ±0.30	UPTO 80.0mm - ±0.70	UPTO 180.0mm - ±1.27	1. STRAIGHTNESS=1.7mm/M 2. TWIST=1.7mm/M 3. ANGULARITY= ±2° 4. FLATNESS =0.006xWIDTH
UPTO 30.0mm - ±0.38	UPTO 100.0mm - ±0.80	UPTO 200.0mm - ±1.40	
UPTO 40.0mm - ±0.45	UPTO 120.0mm - ±0.90	UPTO 225.0mm - ±1.52	
UPTO 50.0mm - ±0.52	UPTO 140.0mm - ±1.00		
UPTO 60.0mm - ±0.60	UPTO 160.0mm - ±1.14		

 SYMBOL OF QUALITY AN ISO 9001 COMPANY	JINDAL ALUMINIUM LTD. BANGALORE-560073 (INDIA)	DRAWN	J.P.KAUSHIK	DATE	27-02-2017
		CHECKED			
1. ALL DIMENSIONS ARE IN mm. 2. ROUND OFF ALL SHARP CORNERS WITH 0.50 mm. 3. TOLERANCES WILL BE AS PER IS:6477-1983 UNLESS OTHERWISE SPECIFIED		APPROVED	B.NATARAJ	02-03-2017	
		SCALE		1:1	
PARTY'S NAME SOLIDUS HI-TECH PRODUCTS PVT. LTD.,BANGALORE		AREA mm ²		1781.938	
		PERIMETER mm.		273.101	
PARTY'S DRAWING No. AS PER AutoCAD DRAWING-W11047222 REV.A		WEIGHT kg/m		4.811	
		DRAWING No.	P-16854-1	SECTION No.	-
ALLOY & TEMPER 6060 T6			S5315		S5315
		DESCRIPTION MISC. SECTION			