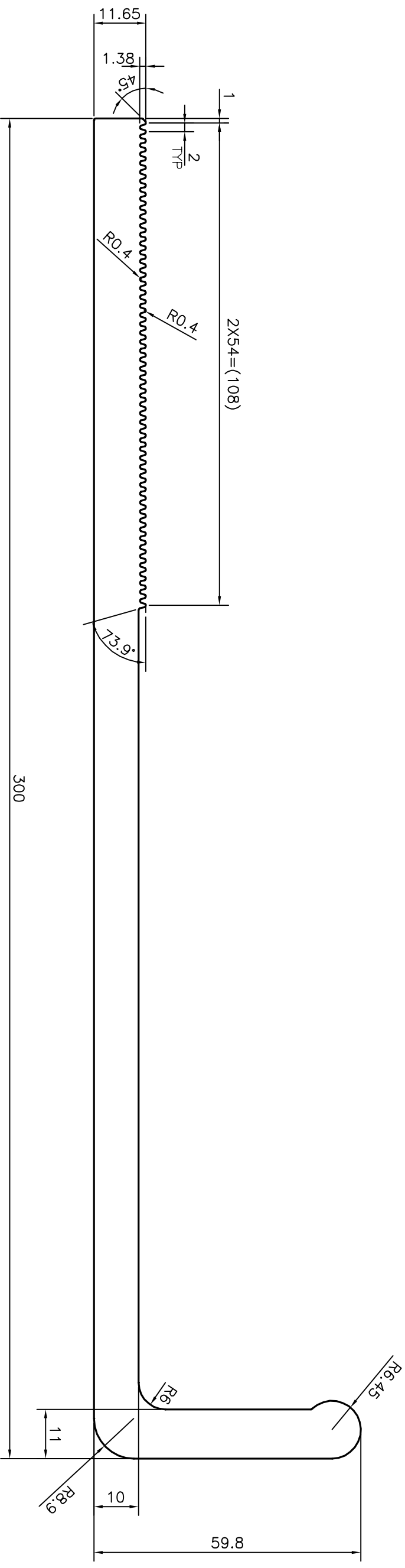


P-16904-2

S5339



TOLERANCES ON OVERALL WIDTHS & WIDTHS ACROSS FLATS OF BARS, & REGULAR SECTIONS

UPTO 6.40mm - ±0.20	UPTO 32.0mm - ±0.38	UPTO 120.0mm - ±0.85	UPTO 320.00mm - ±1.70
UPTO 10.0mm - ±0.23	UPTO 50.0mm - ±0.46	UPTO 160.0mm - ±1.02	
UPTO 12.0mm - ±0.25	UPTO 60.0mm - ±0.53	UPTO 200.0mm - ±1.14	
UPTO 16.0mm - ±0.28	UPTO 80.0mm - ±0.69	UPTO 250.0mm - ±1.40	
UPTO 25.0mm - ±0.30	UPTO 100.0mm - ±0.75	UPTO 300.0mm - ±1.65	

JINDAL
 SYMBOL OF QUALITY
 AN ISO 9001 COMPANY
JINDAL ALUMINIUM LTD.
 BANGALORE-560073 (INDIA)

1. ALL DIMENSIONS ARE IN mm.
2. ROUND OFF ALL SHARP CORNERS WITH 0.40 mm.
3. TOLERANCES WILL BE AS PER IS:3965-1981 , UNLESS OTHERWISE SPECIFIED

PARTY'S NAME	GLOBAL SYNDICATE, BANGALORE	NAME	J.P.KAUSHIK	DATE	25-03-2017
PARTY'S DRAWING No.	AS PER DRAWING-SOB/LULLU/SE106	CHECKED			
ALLOY & TEMPER	6063 T5	APPROVED	B.NATARAU		27-03-2017
DESCRIPTION	CURTAIN WALL SECTION	SCALE	1:1		
		AREA mm ²	3644.746		
		PERIMETER mm.	805.658		
		WEIGHT kg/m	9.841		
		DRAWING No.	P-16904-2	SECTION No.	-
			S5339		S5339