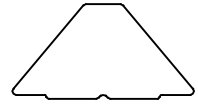
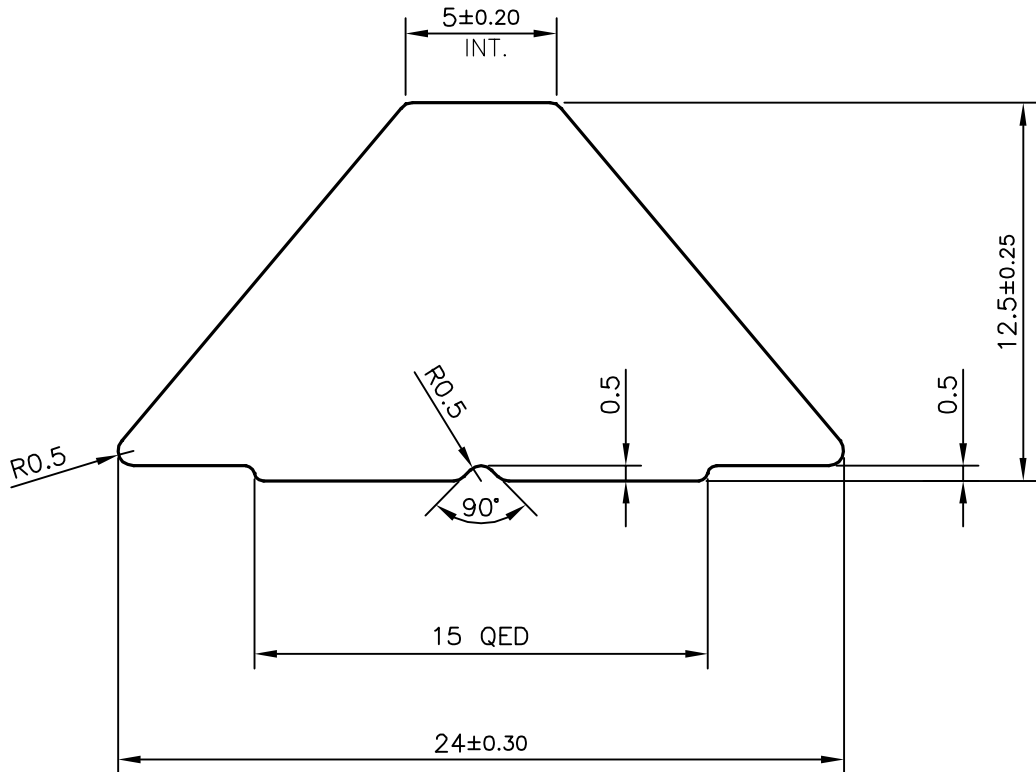


P-16926-1

S5385



SCALE 1:1



SYMBOL OF QUALITY
AN ISO 9001 COMPANY

JINDAL ALUMINIUM LTD.
BANGALORE-560073 (INDIA)

	NAME	DATE
DRAWN	J.P.KAUSHIK	21-04-2017
CHECKED		
APPROVED	B.NATARAJA	05-05-2017
SCALE		4:1
AREA mm ²		187.388
PERIMETER mm.		60.227
WEIGHT kg/m		0.506
DRAWING No.	SECTION No.	

1. ALL DIMENSIONS ARE IN mm.
2. ROUND OFF ALL SHARP CORNERS WITH 0.50 mm.
3. TOLERANCES WILL BE AS PER IS:3965-1981, UNLESS OTHERWISE SPECIFIED

PARTY'S NAME	SURYA VINYL PVT. LTD., BADDI	P-16926-1	S5385
PARTY'S DRAWING No.	16-12-16-001	S5385	S5385
ALLOY & TEMPER	HE9 WP		
DESCRIPTION	MISC. BAR		