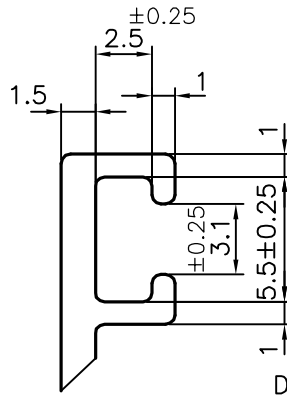
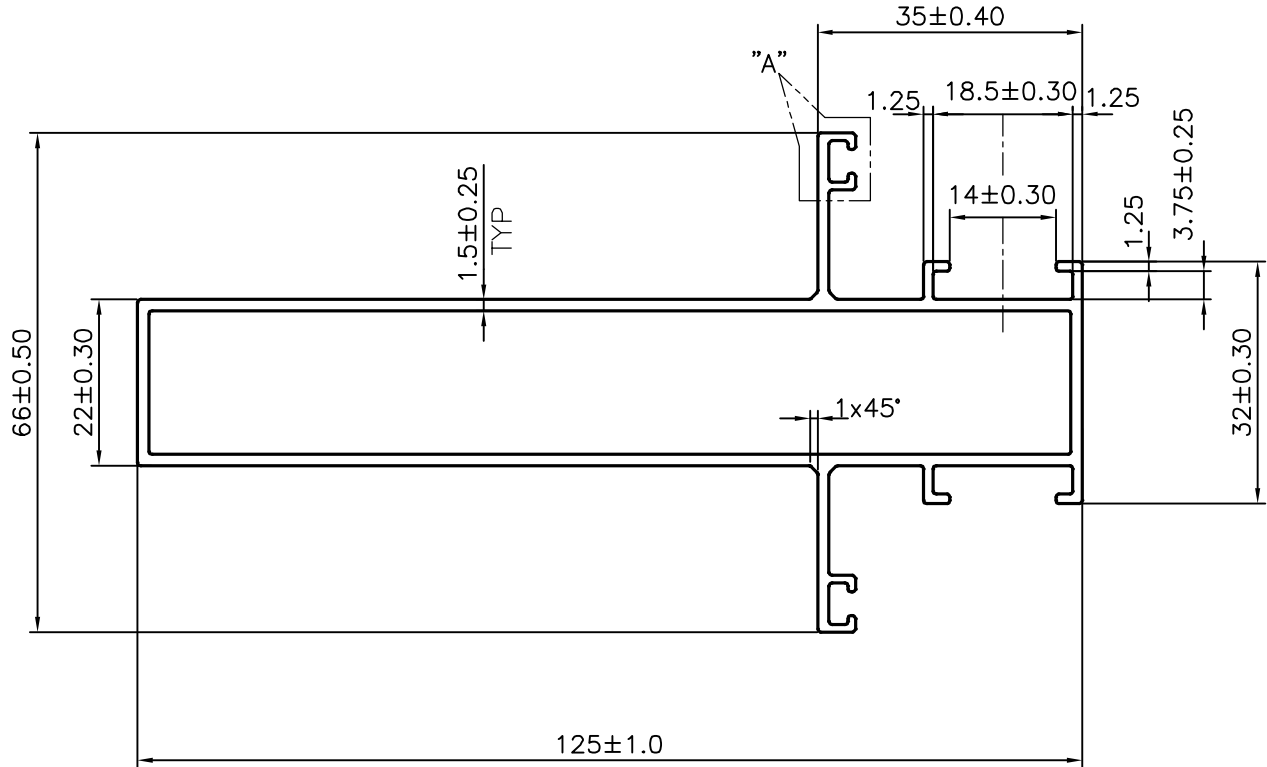


P-17268-1

S5529



DETAIL OF "A"
SCALE 3:1



SYMBOL OF QUALITY
AN ISO 9001 COMPANY

JINDAL ALUMINIUM LTD.
BANGALORE-560073 (INDIA)

	NAME	DATE
DRAWN	J.P.KAUSHIK	28-06-2017
CHECKED		
APPROVED	B.NATARAJA	17-10-2017
SCALE		1:1
AREA	mm ²	554.94
PERIMETER	mm.	466.878
WEIGHT	kg/m	1.498
DRAWING No.	SECTION No.	
P-17268-1	-	
S5529	S5529	

1. ALL DIMENSIONS ARE IN mm.
2. ROUND OFF ALL SHARP CORNERS WITH 0.40 mm.
3. TOLERANCES WILL BE AS PER IS:6477-1983 , UNLESS OTHERWISE SPECIFIED

PARTY'S NAME	AHLUWALIA CONTRACTS INDIA LTD., JHAJJAR
PARTY'S DRAWING No.	AS PER DRAWING
ALLOY & TEMPER	HE9 WP
DESCRIPTION	WINDOW SECTION