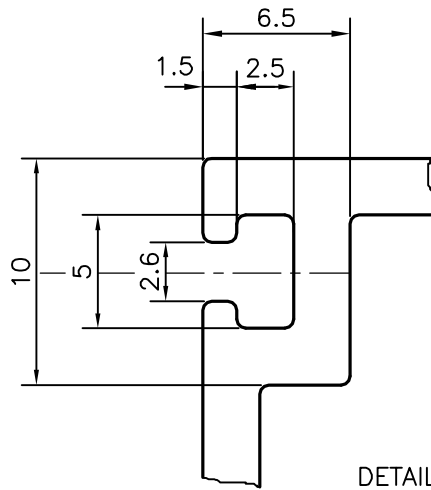
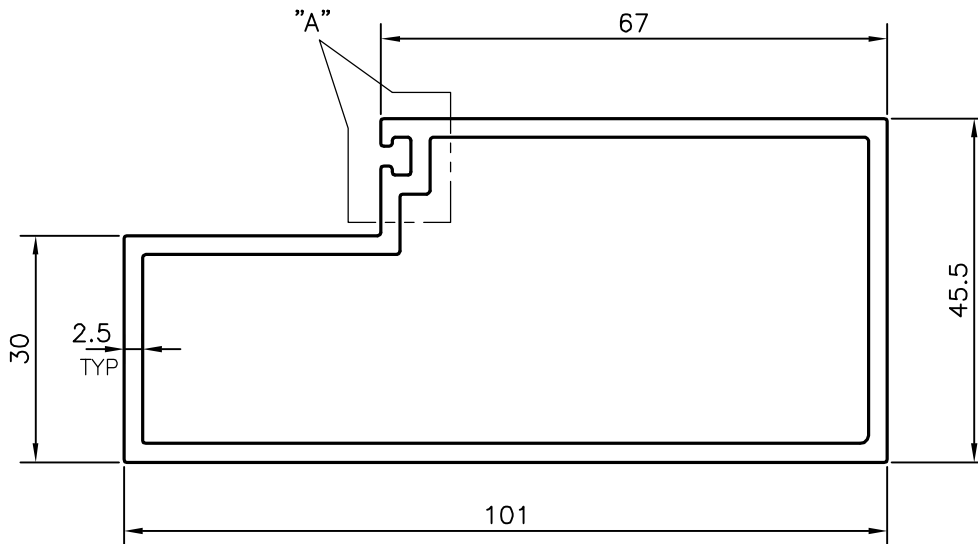


P-17744

S5637



DETAIL "A"  
SCALE 3:1



TOLERANCES ON OVERALL DIMENSIONS OF HOLLOW SECTIONS

UPTO 20.0mm - $\pm 0.30$	UPTO 80.0mm - $\pm 0.70$	UPTO 180.0mm - $\pm 1.27$	1. STRAIGHTNESS=1.7mm/M 2. TWIST=1.7mm/M 3. ANGULARITY= $\pm 2^\circ$ 4. FLATNESS =0.006xWIDTH
UPTO 30.0mm - $\pm 0.38$	UPTO 100.0mm - $\pm 0.80$	UPTO 200.0mm - $\pm 1.40$	
UPTO 40.0mm - $\pm 0.45$	UPTO 120.0mm - $\pm 0.90$	UPTO 225.0mm - $\pm 1.52$	
UPTO 50.0mm - $\pm 0.52$	UPTO 140.0mm - $\pm 1.00$		
UPTO 60.0mm - $\pm 0.60$	UPTO 160.0mm - $\pm 1.14$		



SYMBOL OF QUALITY  
AN ISO 9001 COMPANY

**JINDAL ALUMINIUM LTD.**  
BANGALORE-560073 (INDIA)

	NAME	DATE
DRAWN	J.P.KAUSHIK	30-12-2017
CHECKED		
APPROVED	B.NATARAJA	11-01-2018

- ALL DIMENSIONS ARE IN mm.
- ROUND OFF ALL SHARP CORNERS WITH 0.40 mm.
- TOLERANCES WILL BE AS PER IS:6477-1983 , UNLESS OTHERWISE SPECIFIED

SCALE	1:1
AREA mm <sup>2</sup>	721.316
PERIMETER mm.	303.396
WEIGHT kg/m	1.948

PARTY'S NAME	AHLUWALIA CONTRACTS(INDIA) LTD., NEW DELHI
PARTY'S DRAWING No.	AS PER DRAWING
ALLOY & TEMPER	HE9 WP
DESCRIPTION	DOOR SECTION

DRAWING No.	SECTION No.
P-17744	-
S5637	S5637