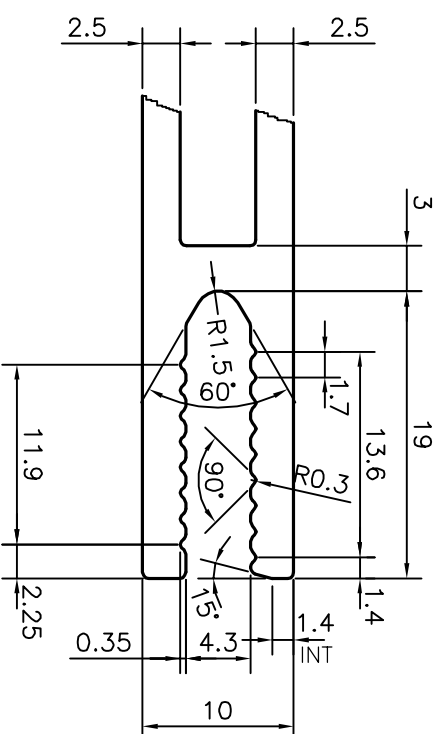



DETAIL OF "B"
SCALE 2:1



DETAIL OF "A"
SCALE 2:1

* = 1.0 RADIUS (6 PLACES)
V = V GROOVE 0.3x90° (4 PLACES)

 SYMBOL OF QUALITY AN ISO 9001 COMPANY		JINDAL ALUMINIUM LTD. BANGALORE-560073 (INDIA)	
1. ALL DIMENSIONS ARE IN mm. 2. ROUND OFF ALL SHARP CORNERS WITH 0.40 mm. 3. TOLERANCES WILL BE AS PER IS:6477-1983 UNLESS OTHERWISE SPECIFIED			
PARTY'S NAME	GSC GLASS LTD., GREATER NOIDA		
PARTY'S DRAWING No.	M34657-REVA25		
ALLOY & TEMPER	6063 T6		
DESCRIPTION	CURTAIN WALL SECTION		
DRAWN	J.P. KAUSHIK	DATE	13-04-2018
CHECKED			
APPROVED	B. NATHARAJA		16-04-2018
SCALE	1:1		
AREA	mm ²		1746.389
PERIMETER	mm.		744.435
WEIGHT	kg/m		4.715
DRAWING No.	P-18102	SECTION No.	-
	S5774		S5774