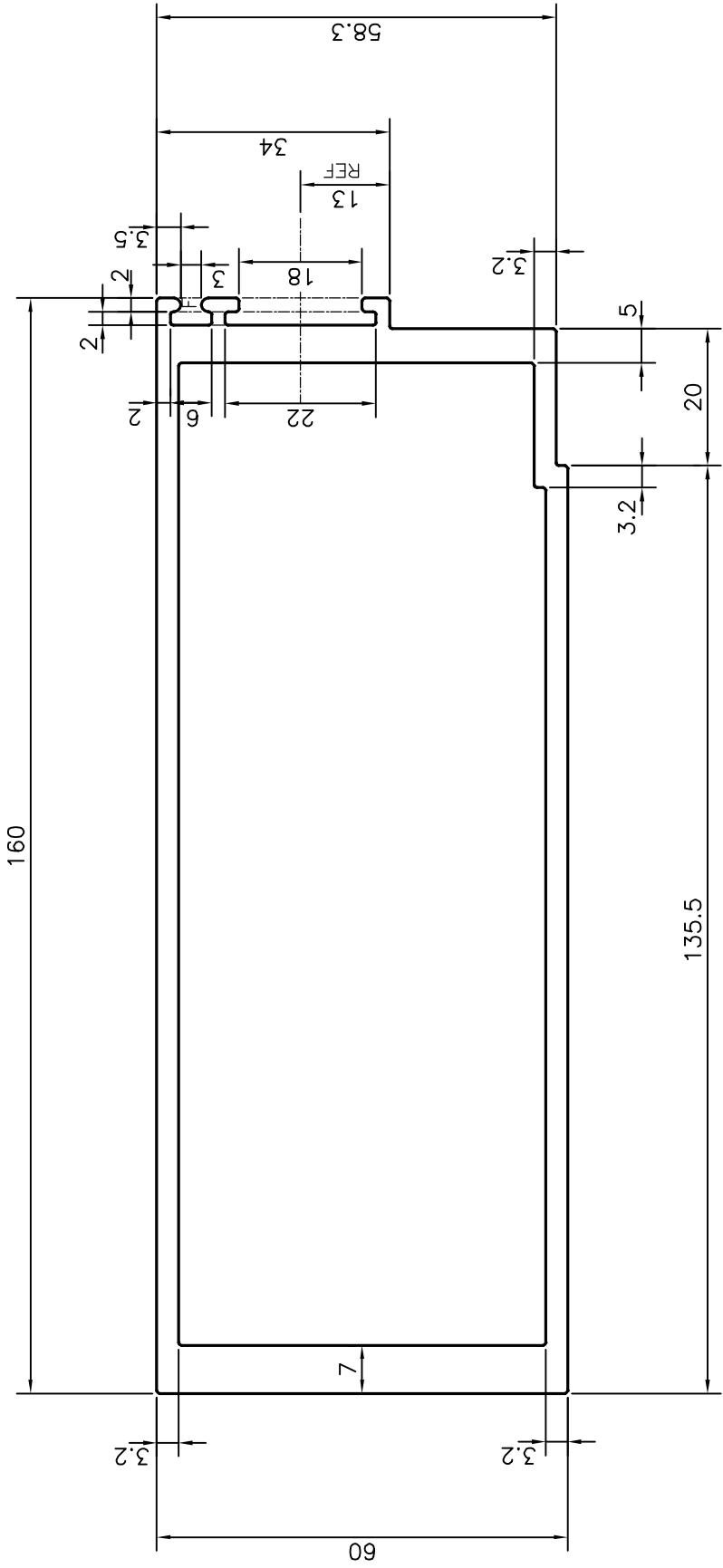



P-18306-1

S5908



F = FULL RADIUS (2 PLACES)

TOLERANCES ON OVERALL WIDTHS & WIDTHS ACROSS FLATS OF BARS, & REGULAR SECTIONS		NAME	DATE
UPTO 6.40mm - ±0.20	UPTO 32.0mm - ±0.38	UPTO 120.0mm - ±0.85	UPTO 320.00mm - ±1.70
UPTO 10.0mm - ±0.23	UPTO 50.0mm - ±0.46	UPTO 160.0mm - ±1.02	
UPTO 12.0mm - ±0.25	UPTO 60.0mm - ±0.53	UPTO 200.0mm - ±1.14	
UPTO 16.0mm - ±0.28	UPTO 80.0mm - ±0.69	UPTO 250.0mm - ±1.40	
UPTO 25.0mm - ±0.30	UPTO 100.0mm - ±0.75	UPTO 300.0mm - ±1.65	
 SYMBOL OF QUALITY AN ISO 9001 COMPANY		DRAWN	J.P.KAUSHIK 07-06-2018
JINDAL ALUMINIUM LTD. BANGALORE-560073 (INDIA)		CHECKED	
1. ALL DIMENSIONS ARE IN mm. 2. ROUND OFF ALL SHARP CORNERS WITH 0.40 mm. 3. TOLERANCES WILL BE AS PER IS:6477-1983 UNLESS OTHERWISE SPECIFIED		APPROVED	B.NATARAJA 03-07-2018
PARTY'S NAME		SCALE	1:1
PARTY'S DRAWING No.		AREA	mm ² 1689.619
ALLOY & TEMPER		PERIMETER	mm. 464.85
DESCRIPTION		WEIGHT	kg/m 4.562
		DRAWING No.	SECTION No.
		P-18306-1	-
		S5908	S5908