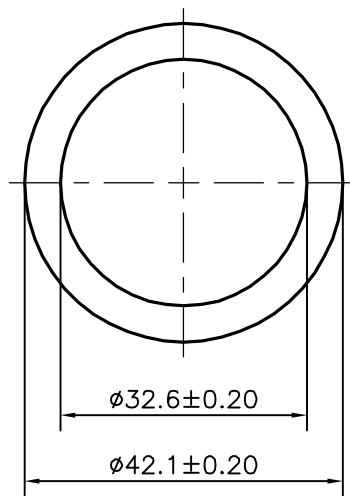


P-17853-1

S5909



SYMBOL OF QUALITY
AN ISO 9001 COMPANY

JINDAL ALUMINIUM LTD.
BANGALORE-560073 (INDIA)

	NAME	DATE
DRAWN	J.P.KAUSHIK	03-07-2018
CHECKED		
APPROVED	B.NATARAJA	04-07-2018
SCALE		1:1
AREA mm ²		557.358
PERIMETER mm.		132.261
WEIGHT kg/m		1.505
DRAWING No.	SECTION No.	
P-17853-1	-	
S5909	S5909	

1. ALL DIMENSIONS ARE IN mm.
2. ROUND OFF ALL SHARP CORNERS WITH 0.40 mm.
3. TOLERANCES WILL BE AS PER IS:2673-2002 , UNLESS OTHERWISE SPECIFIED

PARTY'S NAME	BGR ENERGY SYSTEMS LTD., CHENNAI
PARTY'S DRAWING No.	AS PER SPECIFICATION & REQUIREMENT
ALLOY & TEMPER	1060
DESCRIPTION	ROUND TUBE-MUFF TUBE