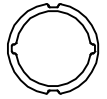
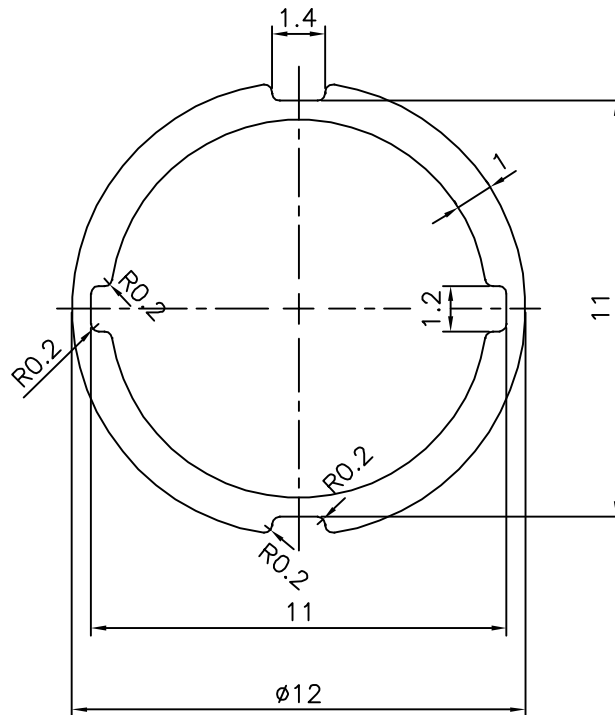


P-18567

S5980



1:1



SYMBOL OF QUALITY
AN ISO 9001 COMPANY

JINDAL ALUMINIUM LTD.
BANGALORE-560073 (INDIA)

	NAME	DATE
DRAWN	J.P.KAUSHIK	16-08-2018
CHECKED		
APPROVED	B.NATARAJA	19-09-2018
SCALE		5:1
AREA mm ²		31.964
PERIMETER mm.		38.717
WEIGHT kg/m		0.086
DRAWING No.	SECTION No.	
P-18567		
S5980	S5980	

1. ALL DIMENSIONS ARE IN mm.
2. ROUND OFF ALL SHARP CORNERS WITH 0.40 mm.
3. TOLERANCES WILL BE AS PER IS:6477-1983 UNLESS OTHERWISE SPECIFIED

PARTY'S NAME	WINDOW TECHS INDIA PVT LTD., FARIDABAD
PARTY'S DRAWING No.	AS PER SAMPLE
ALLOY & TEMPER	6063 T6
DESCRIPTION	VENETIAN BLIND SECTION