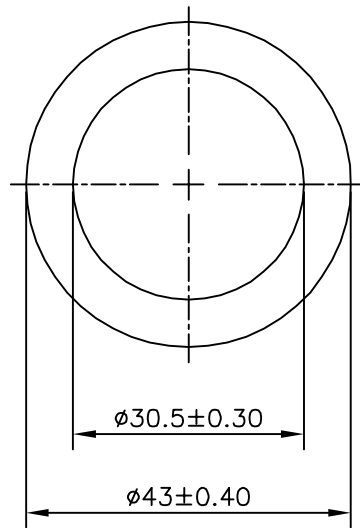


P-18703

S5990



SYMBOL OF QUALITY
AN ISO 9001 COMPANY

JINDAL ALUMINIUM LTD.
BANGALORE-560073 (INDIA)

	NAME	DATE
DRAWN	J.P.KAUSHIK	20-09-2018
CHECKED		
APPROVED	B.NATARAJA	01-10-2018
SCALE		1:1
AREA mm ²		721.585
PERIMETER mm.		135.088
WEIGHT kg/m		1.948
DRAWING No.	SECTION No.	
P-18703	-	
S5990	S5990	

1. ALL DIMENSIONS ARE IN mm.
2. ROUND OFF ALL SHARP CORNERS WITH 0.40 mm.
3. TOLERANCES WILL BE AS PER IS:2673-2002 , UNLESS OTHERWISE SPECIFIED

PARTY'S NAME	SICAME INDIA CONNECTORS PVT. LTD., SIRKUNDRAM
PARTY'S DRAWING No.	F10088742 REV. B
ALLOY & TEMPER	6060 T6
DESCRIPTION	ROUND TUBE