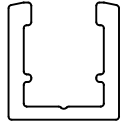
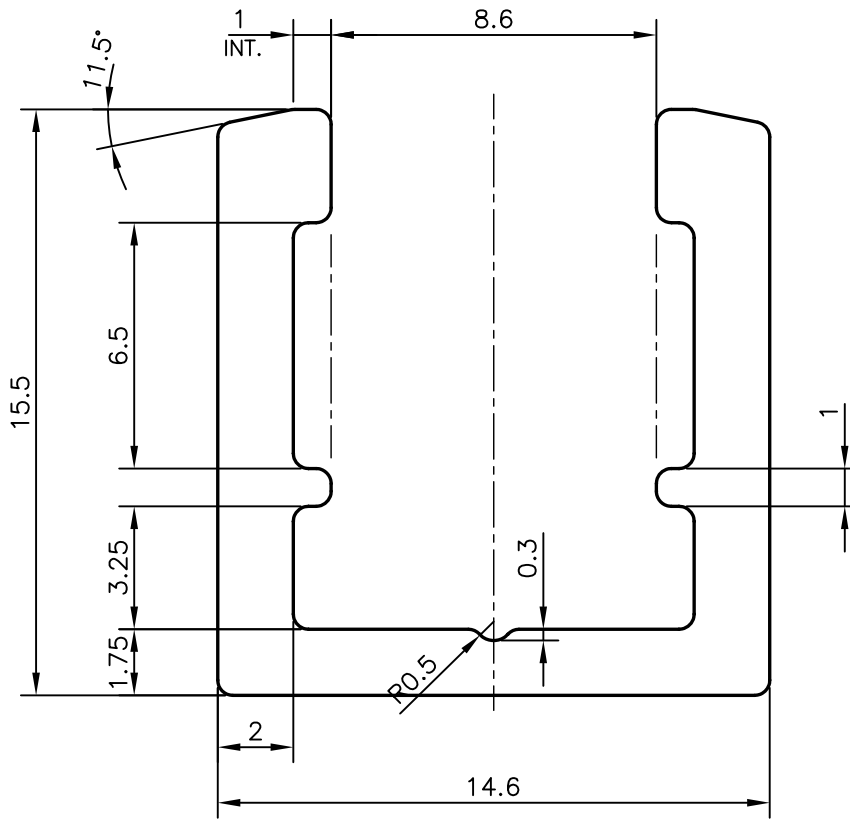


P-18738

S5998



SCALE: - 1:1



SYMBOL OF QUALITY
AN ISO 9001 COMPANY

JINDAL ALUMINIUM LTD.
BANGALORE-560073 (INDIA)

	NAME	DATE
DRAWN	PARVESH	06-10-2018
CHECKED		
APPROVED	B.NATARAJA	08-10-2018
SCALE		5:1
AREA mm ²		87.415
PERIMETER mm.		91.838
WEIGHT kg/m		0.236
DRAWING No.	SECTION No.	
P-18738	-	
S5998	S5998	

1. ALL DIMENSIONS ARE IN mm.
2. ROUND OFF ALL SHARP CORNERS WITH 0.40 mm.
3. TOLERANCES WILL BE AS PER IS:3965-1981, UNLESS OTHERWISE SPECIFIED

PARTY'S NAME	RUSABH ALUMINIUM, THANE
PARTY'S DRAWING No.	AS PER DRAWING
ALLOY & TEMPER	6063 T6
DESCRIPTION	ARCHITECTURAL SECTION