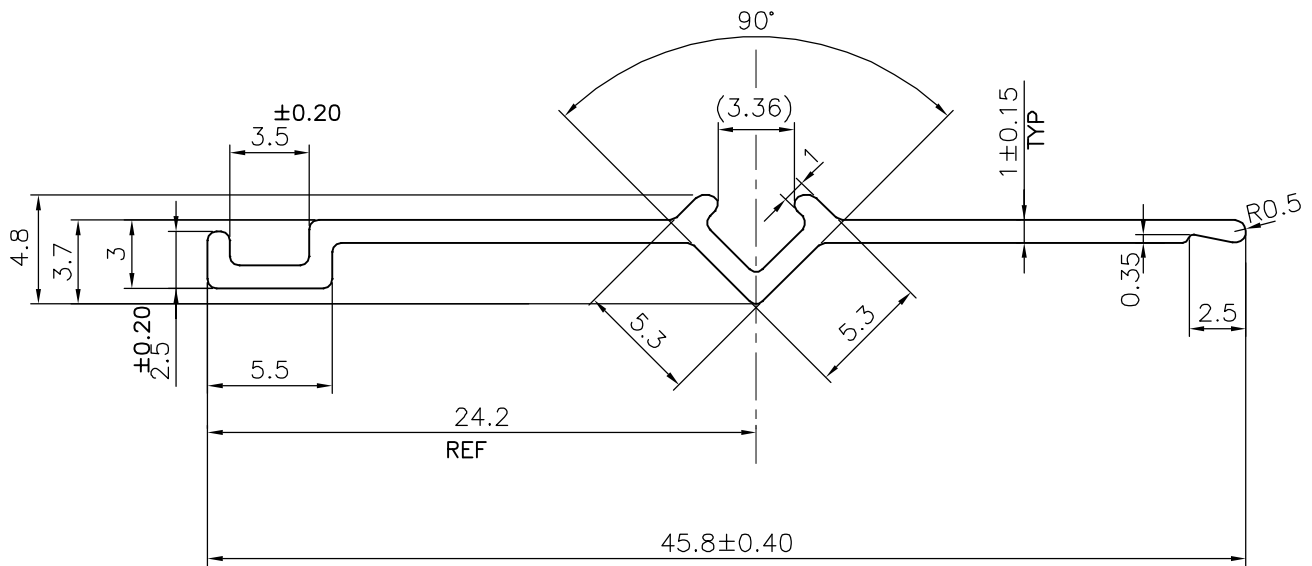


P-18842

S6026



1:1



SYMBOL OF QUALITY
AN ISO 9001 COMPANY

JINDAL ALUMINIUM LTD.
BANGALORE-560073 (INDIA)

	NAME	DATE
DRAWN	J.P.KAUSHIK	10-11-2018
CHECKED		
APPROVED	B.NATARAJA	12-11-2018
SCALE		3:1
AREA mm ²		53.756
PERIMETER mm.		107.319
WEIGHT kg/m		0.145
DRAWING No.	SECTION No.	
P-18842		
S6026	S6026	

1. ALL DIMENSIONS ARE IN mm.
2. ROUND OFF ALL SHARP CORNERS WITH 0.40 mm.
3. TOLERANCES WILL BE AS PER IS:3965-1981 UNLESS OTHERWISE SPECIFIED

PARTY'S NAME	SPATICA AIR SYSTEMS, BANGALORE
PARTY'S DRAWING No.	AS PER DRAWING & SAMPLE
ALLOY & TEMPER	6063 T6
DESCRIPTION	AIR GRILL SECTION