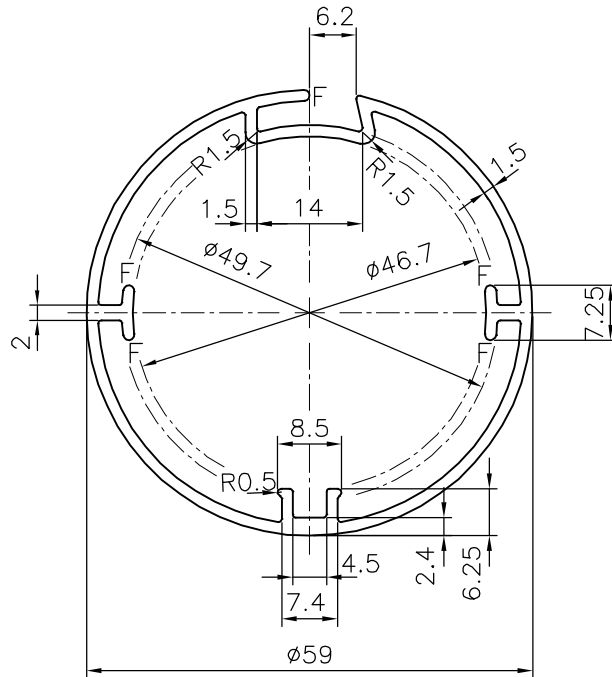


P-18662-1


S6037



F = FULL RADIUS (5 PLACES)

TOLERANCES ON OVERALL DIMENSIONS OF HOLLOW SECTIONS

UPTO 20.0mm - ±0.30	UPTO 80.0mm - ±0.70	UPTO 180.0mm - ±1.27	1. STRAIGHTNESS=1.7mm/M 2. TWIST=1.7mm/M 3. ANGULARITY= ±2° 4. FLATNESS =0.006xWIDTH
UPTO 30.0mm - ±0.38	UPTO 100.0mm - ±0.80	UPTO 200.0mm - ±1.40	
UPTO 40.0mm - ±0.45	UPTO 120.0mm - ±0.90	UPTO 225.0mm - ±1.52	
UPTO 50.0mm - ±0.52	UPTO 140.0mm - ±1.00		
UPTO 60.0mm - ±0.60	UPTO 160.0mm - ±1.14		

 SYMBOL OF QUALITY AN ISO 9001 COMPANY	<b>JINDAL ALUMINIUM LTD.</b> BANGALORE-560073 (INDIA)	NAME	DATE
		DRAWN	J.P.KAUSHIK
		CHECKED	
		APPROVED	B.NATARAJA
		SCALE	1:1
		AREA mm <sup>2</sup>	348.047
		PERIMETER mm.	208.563
		WEIGHT kg/m	0.940
PARTY'S NAME	MAC LIFESTYLE PRODUCT PVT. LTD., NEW DELHI	DRAWING No.	SECTION No.
PARTY'S DRAWING No.	AS PER SAMPLE & REQUIREMENT	P-18662-1	-
ALLOY & TEMPER	6063 T6	S6037	S6037
DESCRIPTION	VENETIAN BLIND SECTION		