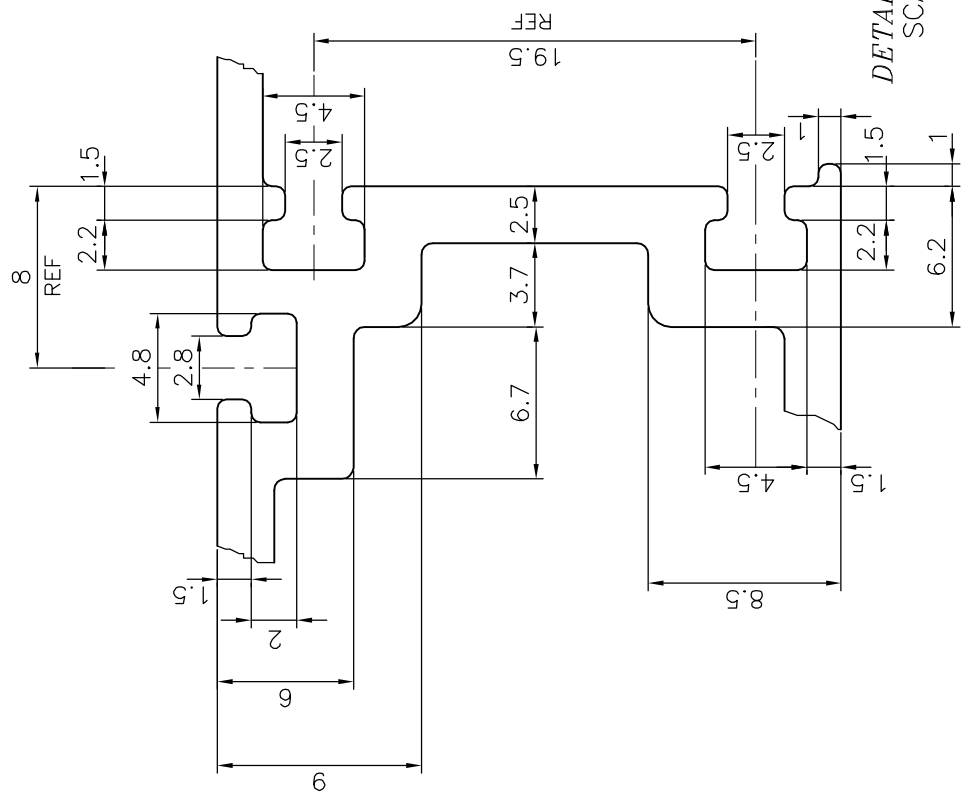
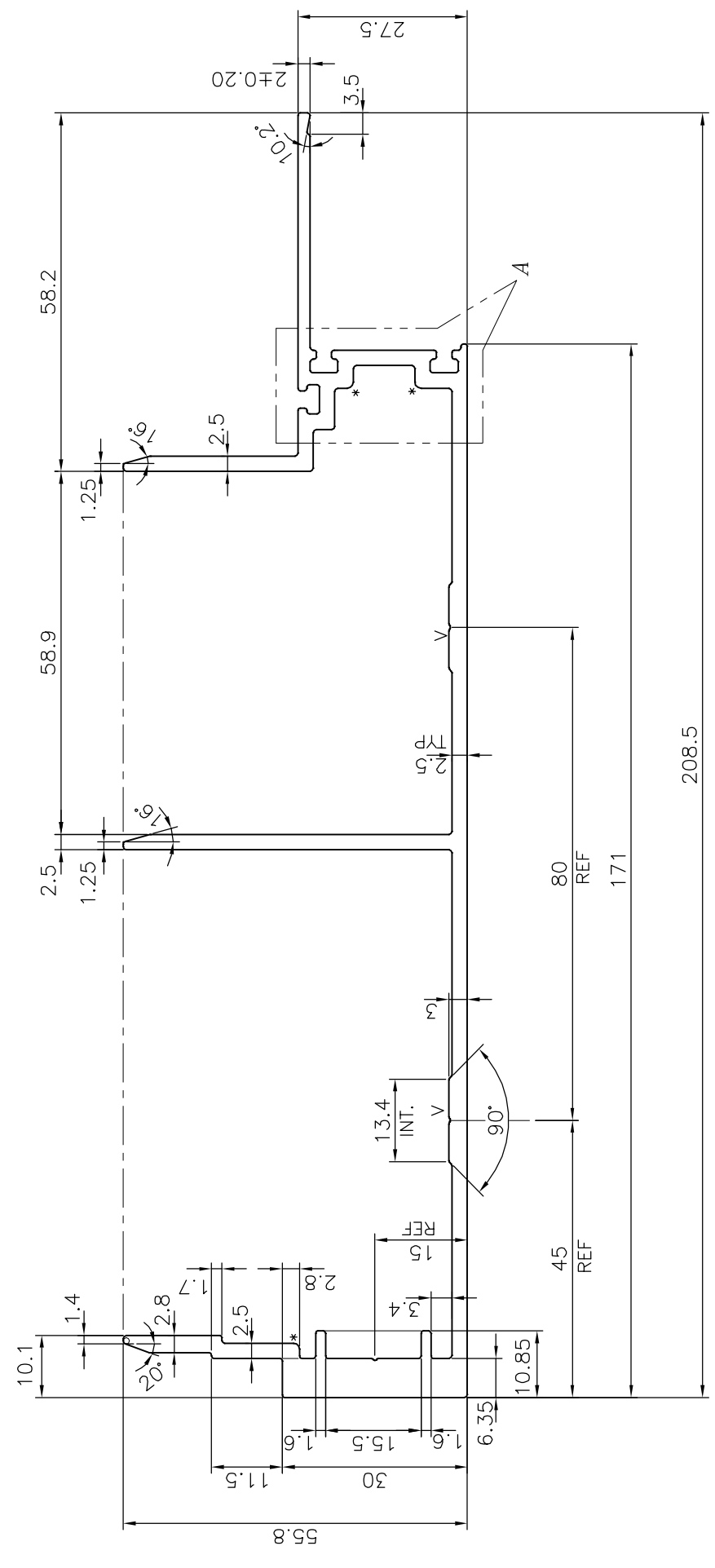
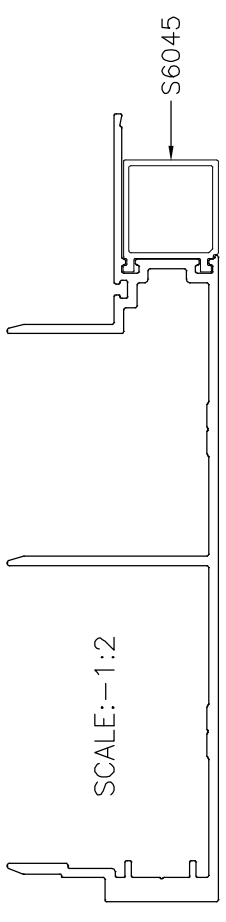


P-18174-1

S6053



V = V GROOVE 0.3x90°(3 PLACES)
* = 1.0 RADIUS (3 PLACES)

TOLERANCES ON OVERALL DIMENSIONS OF HOLLOW SECTIONS	
UPTO 20.0mm - ±0.30	UPTO 80.0mm - ±0.70
UPTO 30.0mm - ±0.38	UPTO 100.0mm - ±0.80
UPTO 40.0mm - ±0.45	UPTO 120.0mm - ±0.90
UPTO 50.0mm - ±0.52	UPTO 140.0mm - ±1.00
UPTO 60.0mm - ±0.60	UPTO 160.0mm - ±1.14

UPTO	180.0mm	200.0mm	225.0mm
1. STRAIGHTNESS=	1.7mm/M		
2. TWIST=	1.7mm/M		
3. ANGULARITY=	±2°		
4. FLATNESS =	0.006xWIDTH		

DRAWN	CHECKED	APPROVED	SCALE	AREA	PERIMETER	WEIGHT	DRAWING No.	SECTION No.
J.P.KAUSHIK		B.NATARAJA	1:1	mm ²	mm.	kg/m	P-18174-1	-
							S6053	S6053

JINDAL ALUMINIUM LTD.	
BANGALORE-560073 (INDIA)	
SYMBOL OF QUALITY AN ISO 9001 COMPANY	
1. ALL DIMENSIONS ARE IN mm.	
2. ROUND OFF ALL SHARP CORNERS WITH 0.40 mm.	
3. TOLERANCES WILL BE AS PER IS:3965-1981 UNLESS OTHERWISE SPECIFIED	
PARTY'S NAME	GLOBAL SYNDICATE, BANGALORE
PARTY'S DRAWING No.	AS PER DRAWING
ALLOY & TEMPER	6063 T6
DESCRIPTION	MALE MULLION SECTION