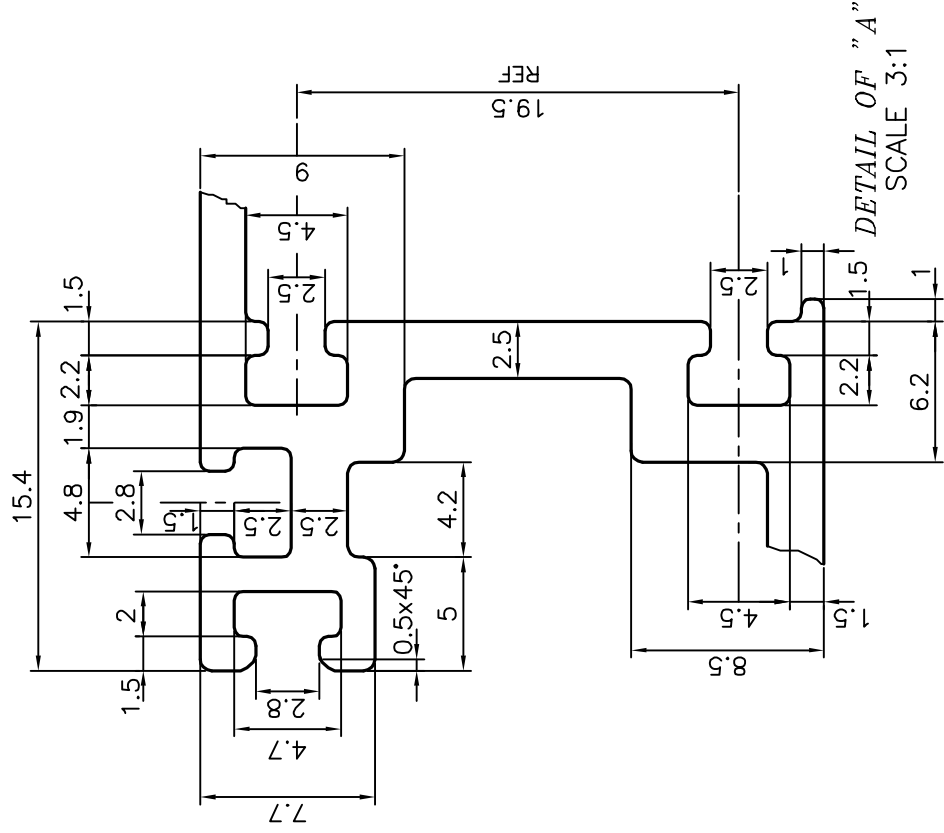
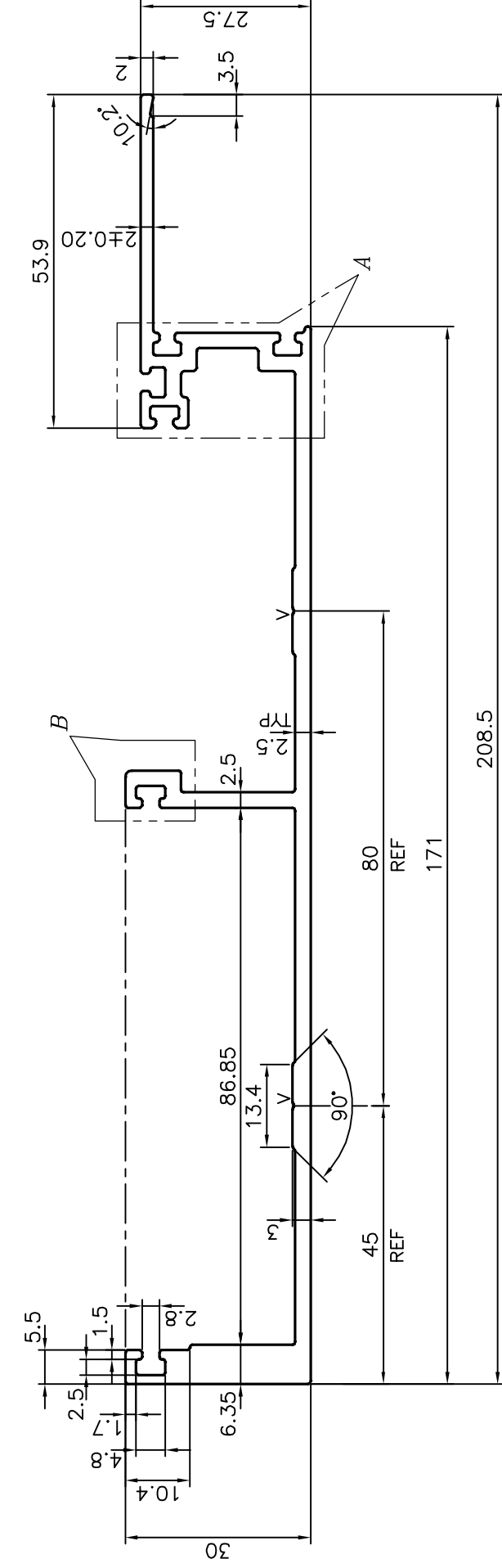
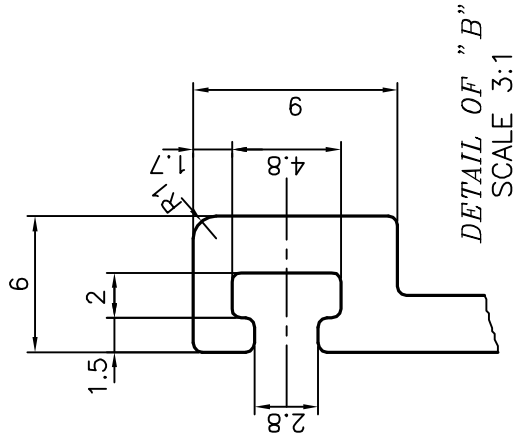
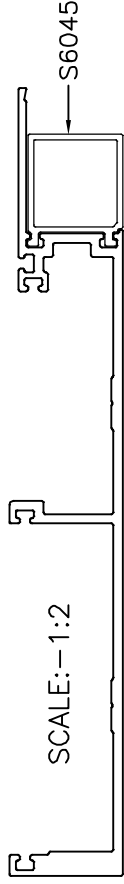


P-18176

S6054



V = V GROOVE 0.3x90° (2 PLACES)

TOLERANCES ON OVERALL DIMENSIONS OF HOLLOW SECTIONS

UPTO 20.0mm - ±0.30	UPTO 80.0mm - ±0.70	UPTO 180.0mm - ±1.27	1. STRAIGHTNESS=1.7mm/M
UPTO 30.0mm - ±0.38	UPTO 100.0mm - ±0.80	UPTO 200.0mm - ±1.40	2. TWIST=1.7mm/M
UPTO 40.0mm - ±0.45	UPTO 120.0mm - ±0.90	UPTO 225.0mm - ±1.52	3. ANGULARITY= ±2°
UPTO 50.0mm - ±0.52	UPTO 140.0mm - ±1.00		4. FLATNESS =0.006xWIDTH
UPTO 60.0mm - ±0.60	UPTO 160.0mm - ±1.14		

<p>SYMBOL OF QUALITY AN ISO 9001 COMPANY</p>	<p><b>JINDAL ALUMINIUM LTD.</b> BANGALORE-560073 (INDIA)</p>		<p>NAME J.P.KAUSHIK</p>	<p>DATE 05-05-2018</p>
			<p>DRAWN CHECKED</p>	
			<p>APPROVED SCALE</p>	<p>B.NATARAJA 01-12-2018</p>
<p>1. ALL DIMENSIONS ARE IN mm. 2. ROUND OFF ALL SHARP CORNERS WITH 0.40 mm. 3. TOLERANCES WILL BE AS PER IS:3965-1981 UNLESS OTHERWISE SPECIFIED</p>		<p>AREA mm<sup>2</sup> PERIMETER mm. WEIGHT kg/m</p>	<p>877.988 674.939 2.371</p>	<p>SECTION No.</p>
<p>PARTY'S NAME GLOBAL SYNDICATE, BANGALORE</p>		<p>PARTY'S DRAWING No. AS PER DRAWING</p>	<p>DRAWING No. P-18176</p>	<p>SECTION No. -</p>
<p>ALLOY &amp; TEMPER 6063 T6</p>		<p>DESCRIPTION FEMALE MULLION SECTION</p>	<p>S6054</p>	<p>S6054</p>