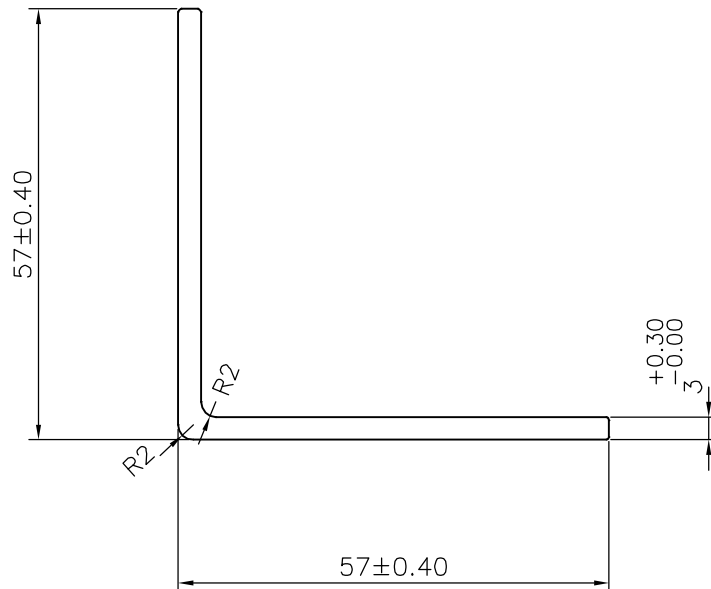


P-19027-1

S6111



SYMBOL OF QUALITY  
AN ISO 9001 COMPANY

**JINDAL ALUMINIUM LTD.**  
BANGALORE-560073 (INDIA)

	NAME	DATE
DRAWN	J.P.KAUSHIK	18-01-2019
CHECKED		
APPROVED	B.NATARAJ	28-01-2019

1. ALL DIMENSIONS ARE IN mm.
2. ROUND OFF ALL SHARP CORNERS WITH 0.40 mm.
3. TOLERANCES WILL BE AS PER IS:3965-1981, UNLESS OTHERWISE SPECIFIED

SCALE	1:1
AREA mm <sup>2</sup>	332.863
PERIMETER mm.	225.596
WEIGHT kg/m	0.899

PARTY'S NAME	ELECTRONIC CORPORATION OF INDIA LTD., HYDERABAD	DRAWING No.	SECTION No.
PARTY'S DRAWING No.	FB-6954-A4 REV. R2 1 OF 3	P-19027-1	-
ALLOY & TEMPER	64430 WP	S6111	S6111
DESCRIPTION	EQUAL ANGLE-MISC.		